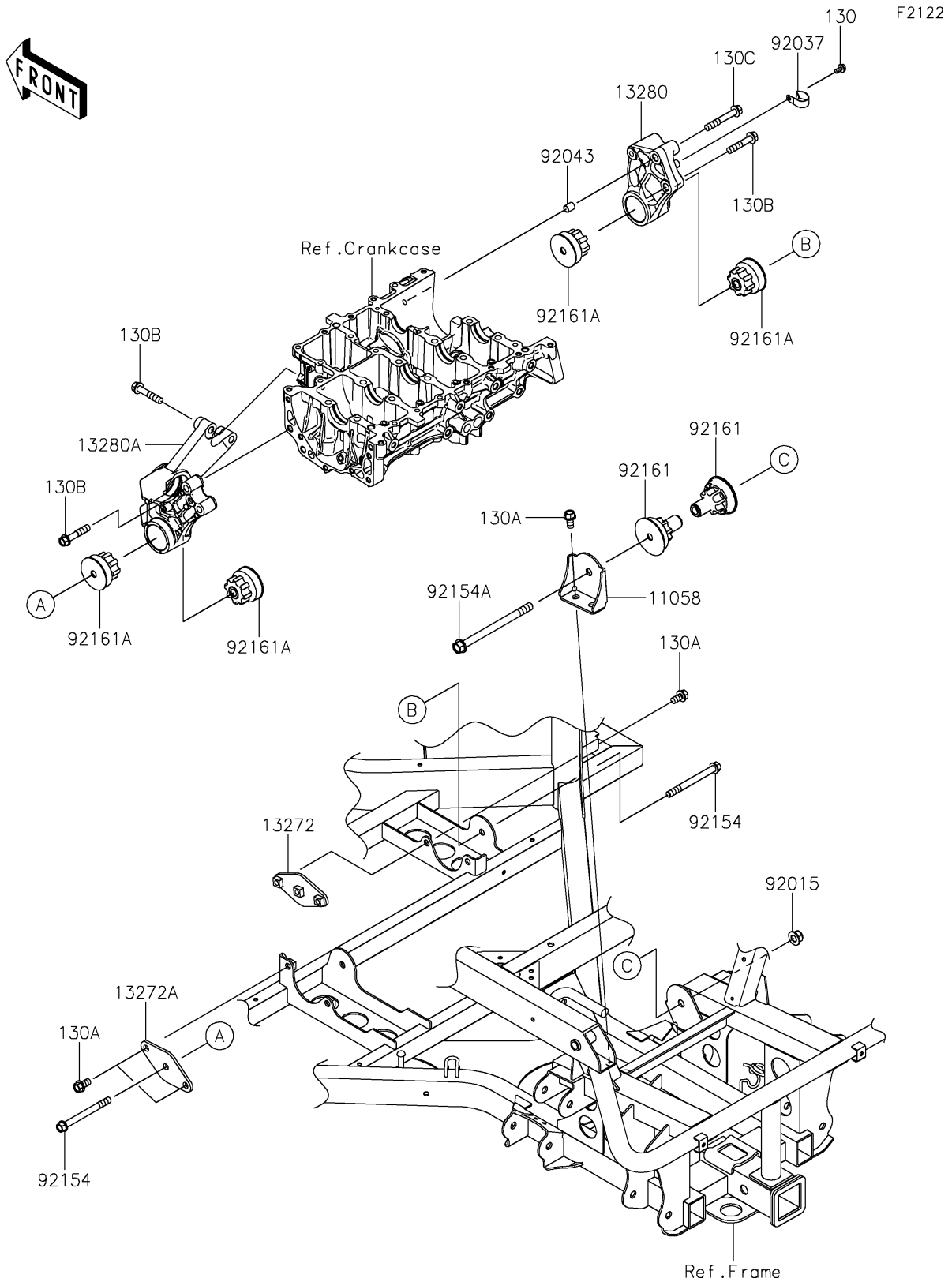


2026 RIDGE® CREW

PARTS DIAGRAM

Engine Mount



2026 RIDGE® CREW

PARTS LIST Engine Mount



ITEM NAME	PART NUMBER	QUANTITY
-----------	-------------	----------
