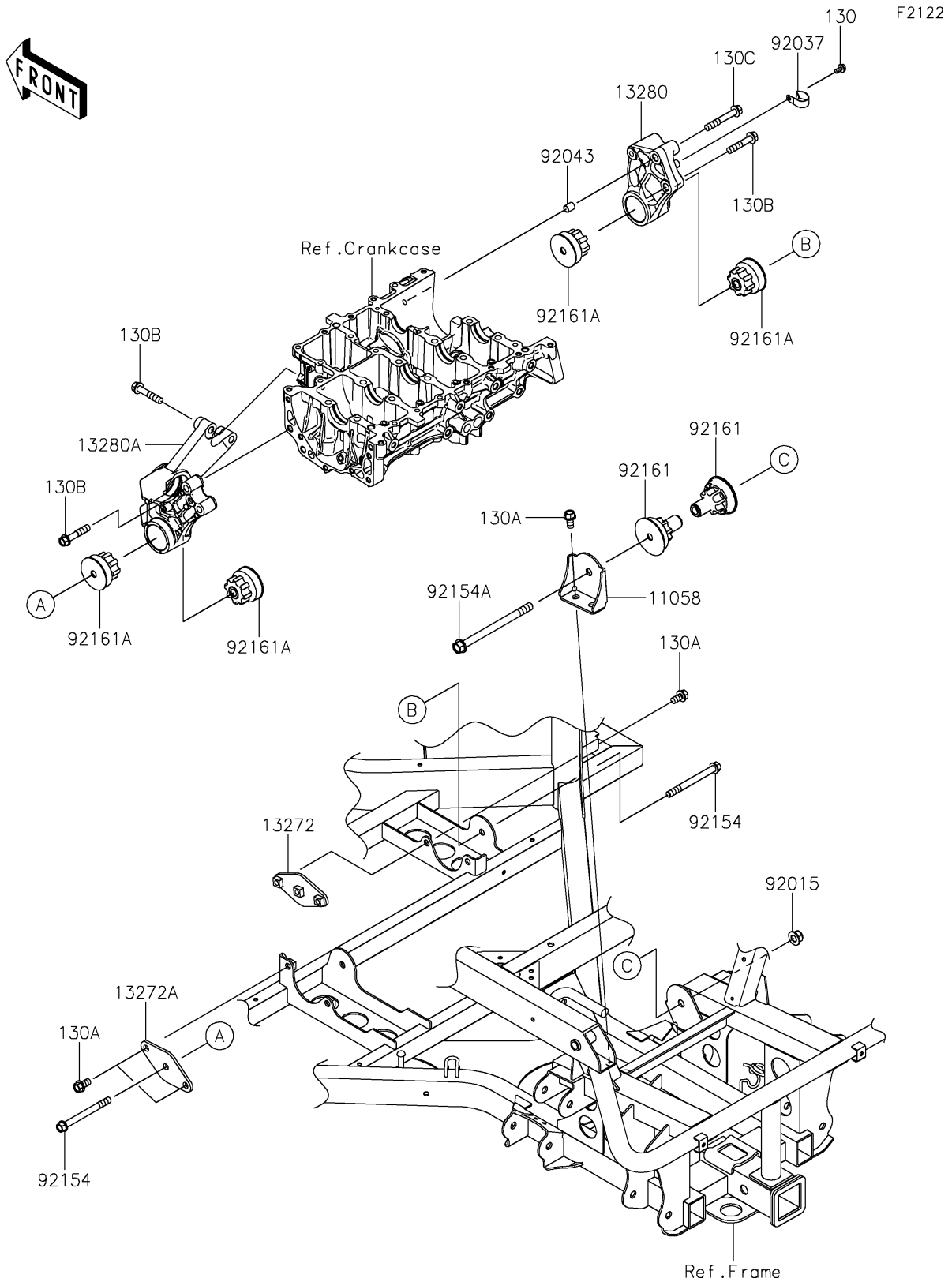


# 2026 RIDGE CREW

## PARTS DIAGRAM

### Engine Mount



# 2026 RIDGE CREW

## PARTS LIST

### Engine Mount



ITEM NAME	PART NUMBER	QUANTITY
-----------	-------------	----------

---