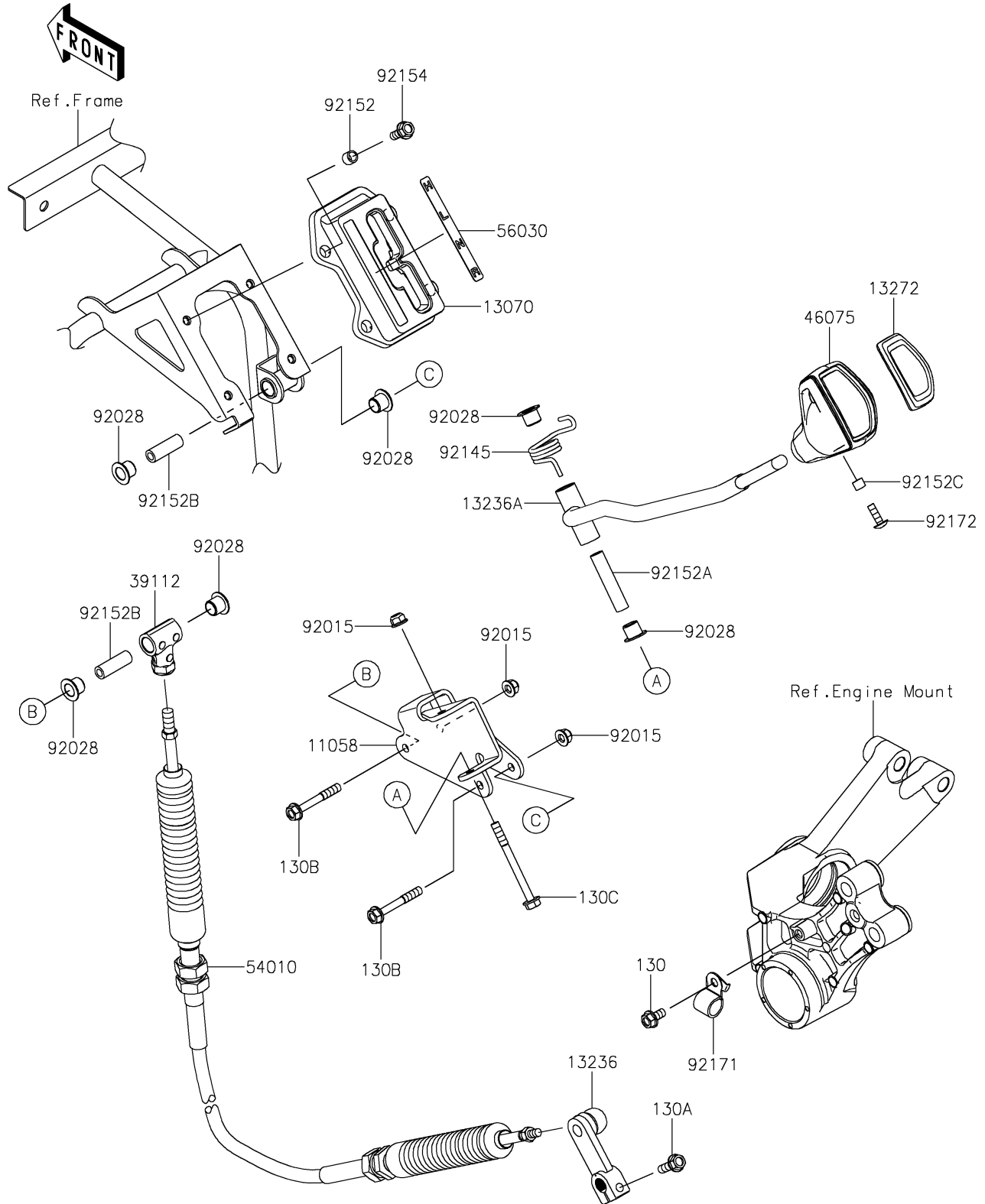


# 2026 RIDGE CREW

## PARTS DIAGRAM

### Control

E7110



# 2026 RIDGE CREW

## PARTS LIST

### Control

**ITEM NAME**

**PART NUMBER**

**QUANTITY**

---