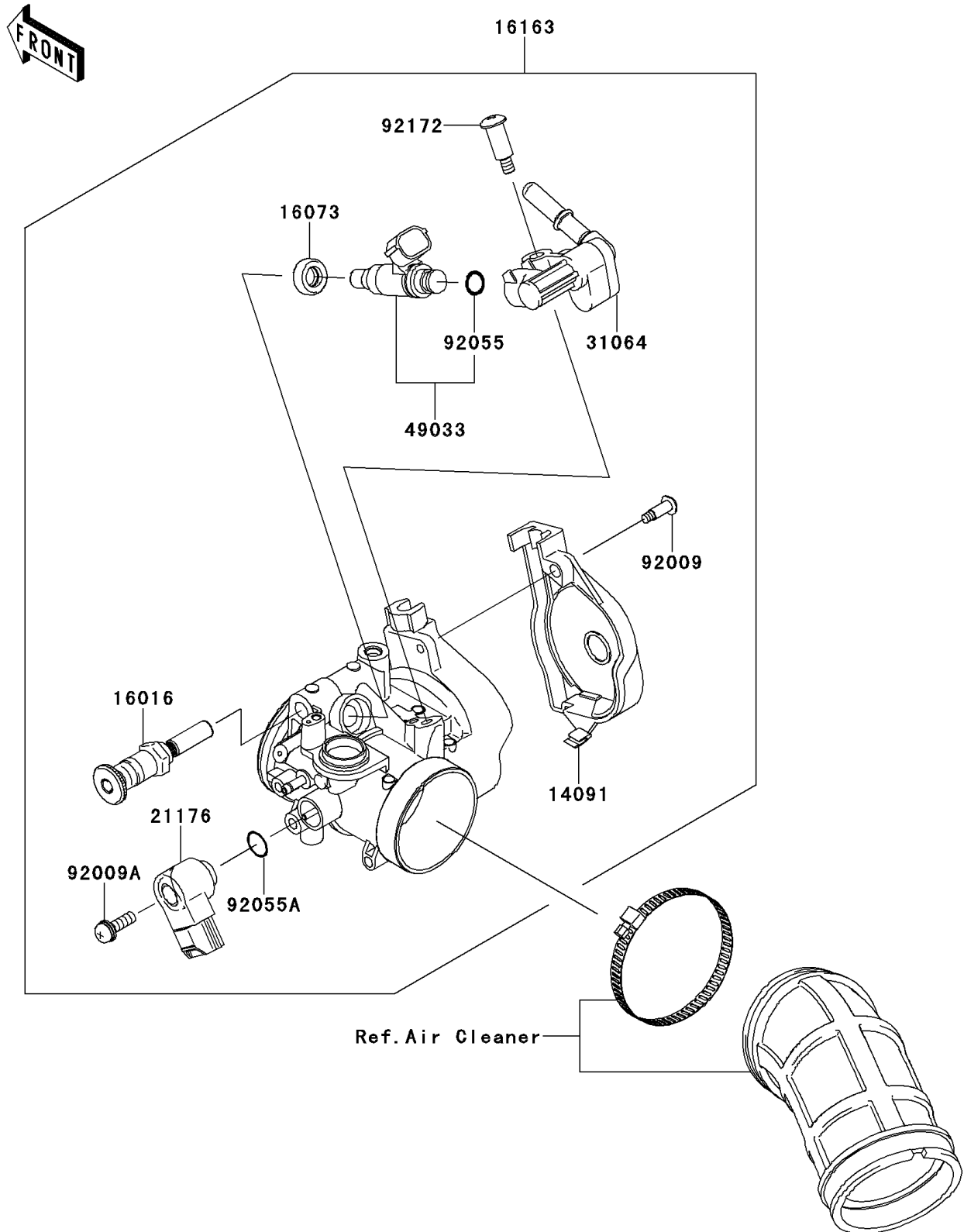


2008 KFX[®] 450R

PARTS DIAGRAM

Throttle

E1510



2008 KFX[®] 450R

PARTS LIST

Throttle

ITEM NAME

PART NUMBER

QUANTITY
