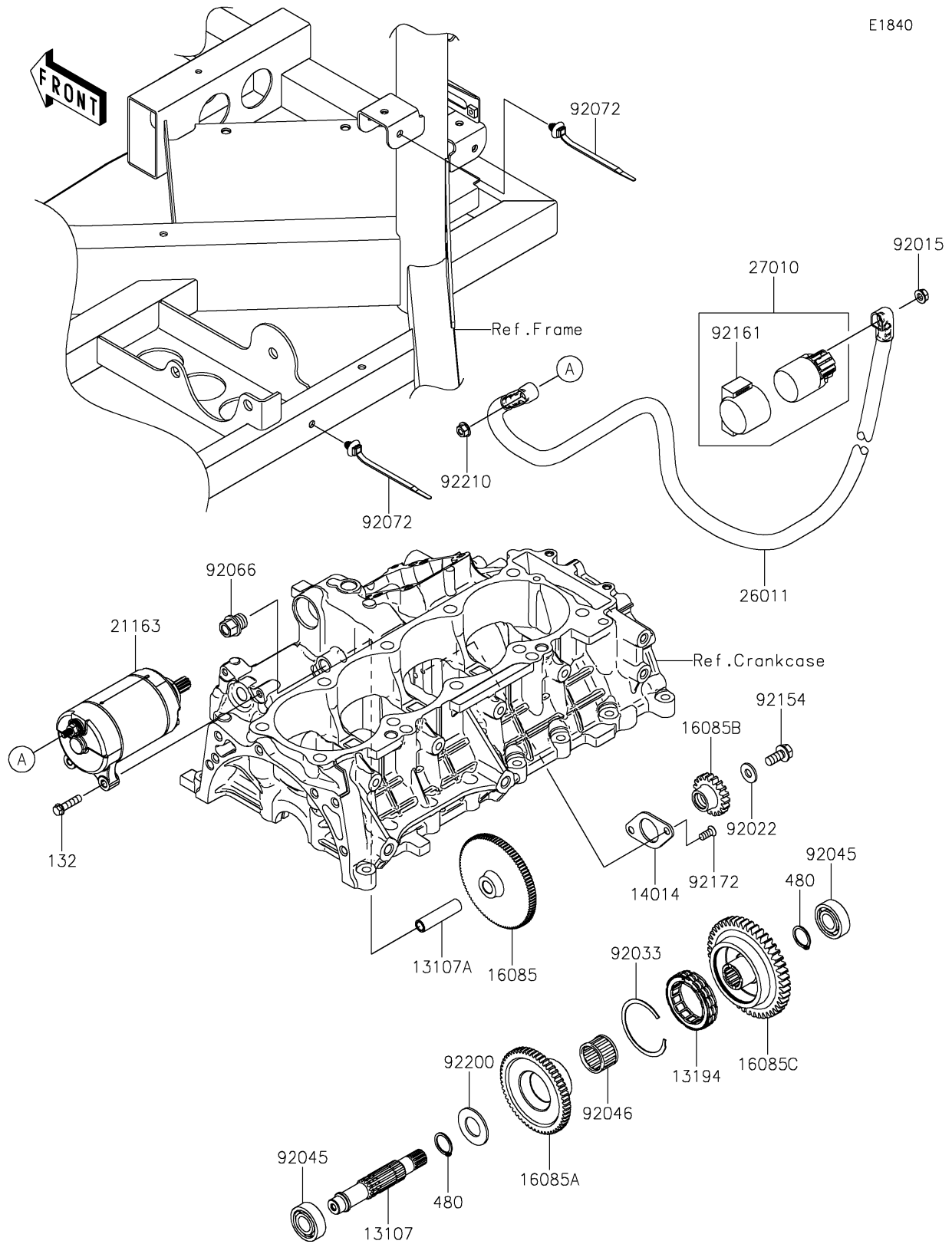


2026 RIDGE CREW

PARTS DIAGRAM

Starter Motor



2026 RIDGE CREW

PARTS LIST

Starter Motor

ITEM NAME

PART NUMBER

QUANTITY
