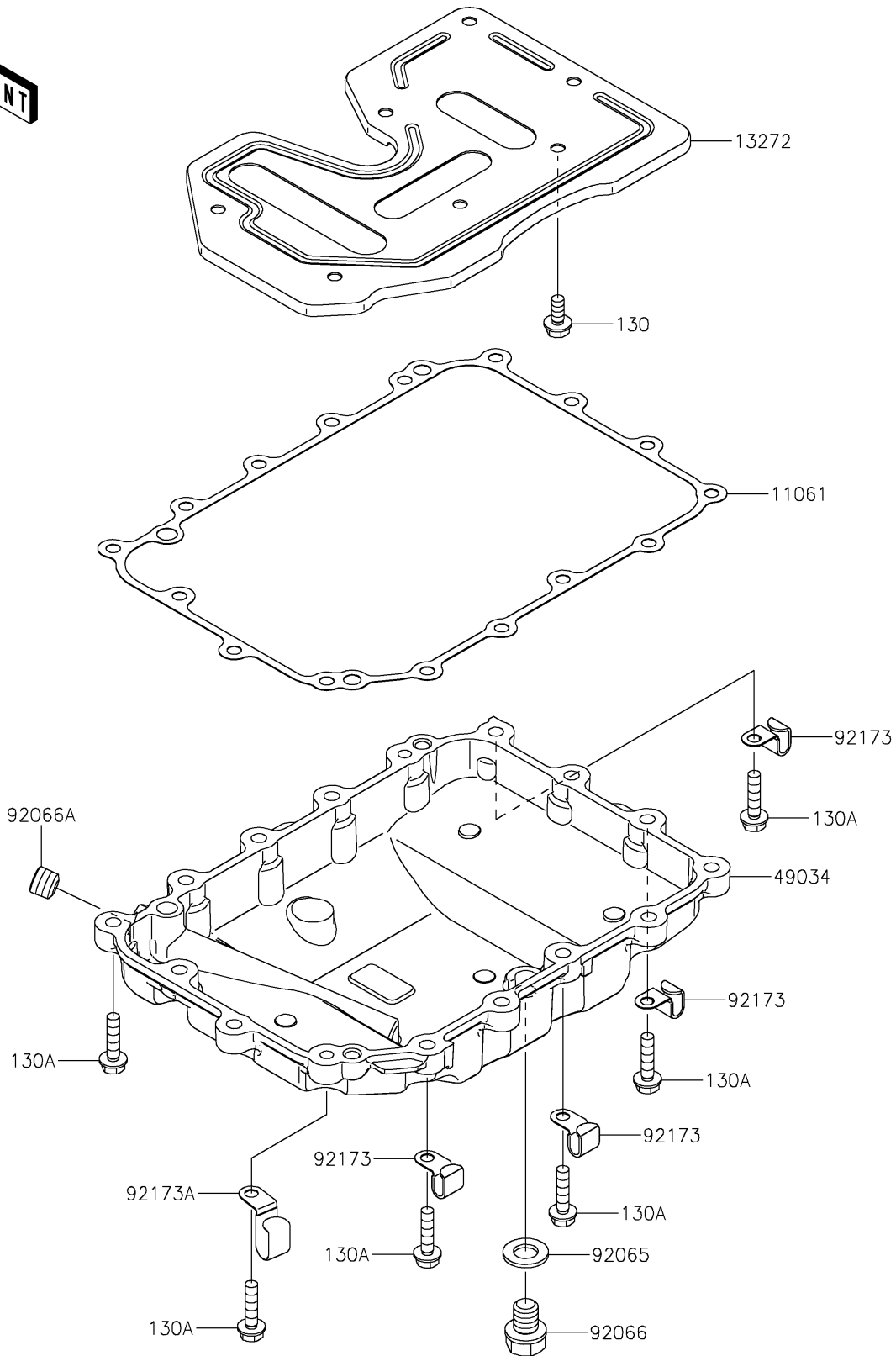


2026 RIDGE® CREW

PARTS DIAGRAM

Oil Pan

E1434



2026 RIDGE® CREW

PARTS LIST

Oil Pan

ITEM NAME

PART NUMBER

QUANTITY
