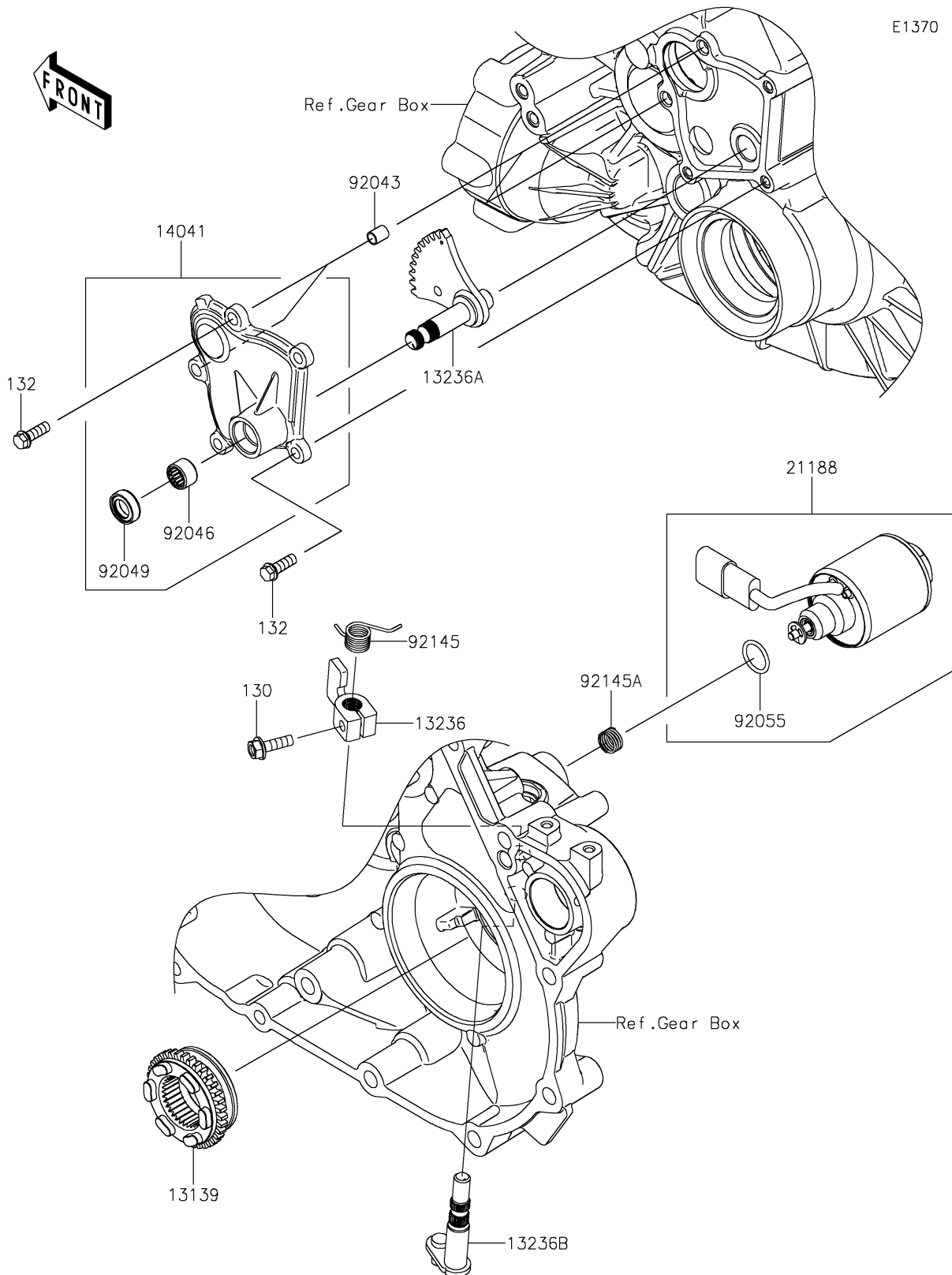


2026 RIDGE® CREW

PARTS DIAGRAM

Gear Change Mechanism



2026 RIDGE® CREW

PARTS LIST

Gear Change Mechanism

| ITEM NAME | PART NUMBER | QUANTITY |
|---------------------------------------|-------------|----------|
| SHIFTER,36T (Ref # 13139) | 13139-0041 | 1 |
| LEVER-COMP,DIFF LOCK (Ref # 13236) | 13236-0745 | 1 |
| LEVER-COMP (Ref # 13236A) | 13236-0816 | 1 |
| LEVER-COMP (Ref # 13236B) | 13236-0852 | 1 |
| COVER-COMP (Ref # 14041) | 14041-0614 | 1 |
| SOLENOID (Ref # 21188) | 21188-0010 | 1 |
| PIN,DOWEL,8X10 (Ref # 92043) | 92043-1302 | 2 |
| BEARING-NEEDLE,HK1210FM (Ref # 92046) | 92046-0034 | 1 |
| SEAL-OIL,CLUTCH RELEASE (Ref # 92049) | 92049-1475 | 1 |
| RING-O (Ref # 92055) | 92055-0829 | 1 |
| SPRING (Ref # 92145) | 92145-1572 | 1 |
| SPRING (Ref # 92145A) | 92145-1573 | 1 |
| BOLT-FLANGED,6X20 (Ref # 130) | 130BA0620 | 1 |
| BOLT-FLANGED-SMALL,6X18 (Ref # 132) | 132BA0618 | 5 |