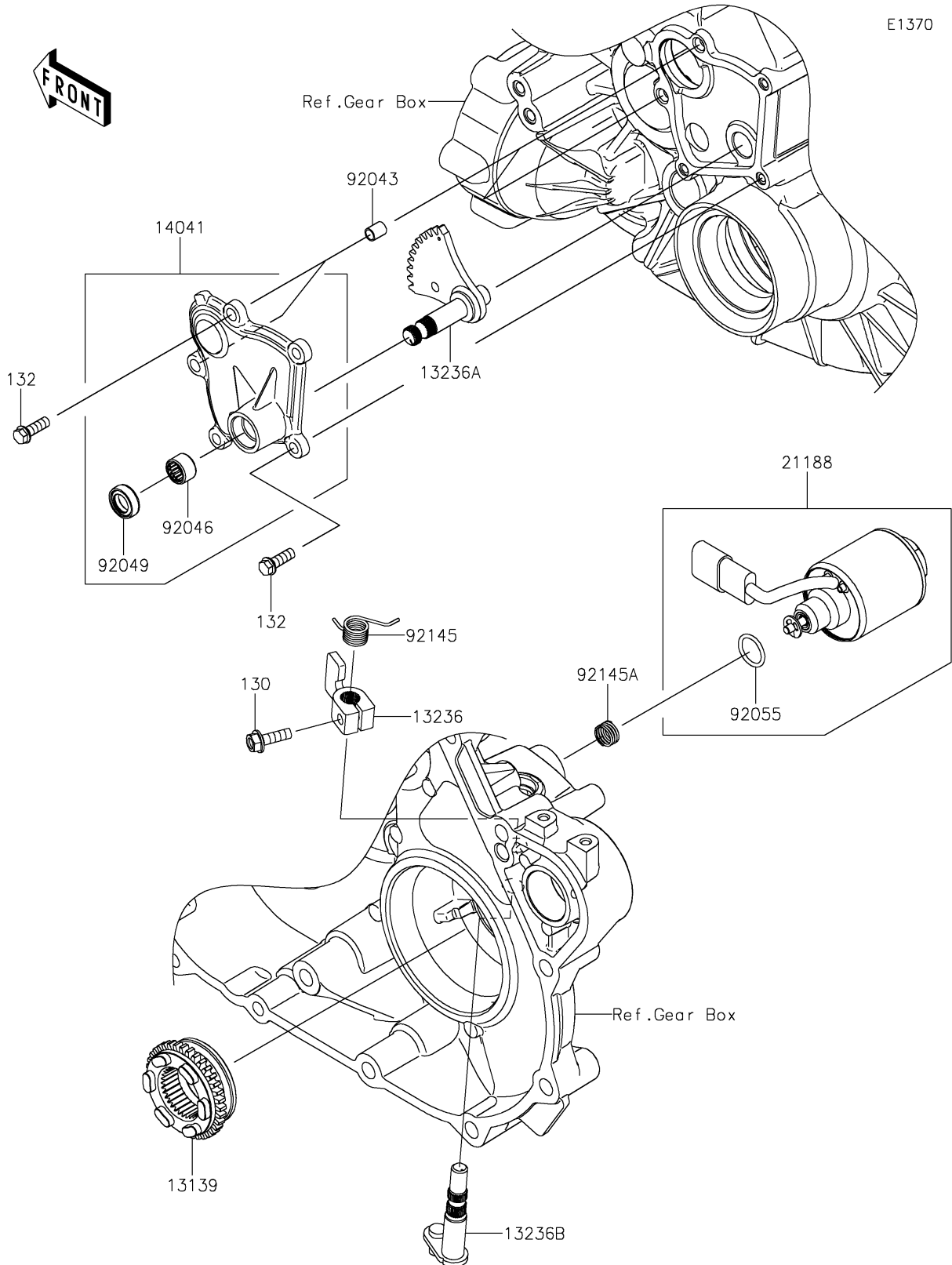


2026 RIDGE CREW

PARTS DIAGRAM

Gear Change Mechanism



2026 RIDGE CREW

PARTS LIST

Gear Change Mechanism

ITEM NAME	PART NUMBER	QUANTITY
SHIFTER,36T (Ref # 13139)	13139-0041	1
LEVER-COMP,DIFF LOCK (Ref # 13236)	13236-0745	1
LEVER-COMP (Ref # 13236A)	13236-0816	1
LEVER-COMP (Ref # 13236B)	13236-0852	1
COVER-COMP (Ref # 14041)	14041-0614	1
SOLENOID (Ref # 21188)	21188-0010	1
PIN,DOWEL,8X10 (Ref # 92043)	92043-1302	2
BEARING-NEEDLE,HK1210FM (Ref # 92046)	92046-0034	1
SEAL-OIL,CLUTCH RELEASE (Ref # 92049)	92049-1475	1
RING-O (Ref # 92055)	92055-0829	1
SPRING (Ref # 92145)	92145-1572	1
SPRING (Ref # 92145A)	92145-1573	1
BOLT-FLANGED,6X20 (Ref # 130)	130BA0620	1
BOLT-FLANGED-SMALL,6X18 (Ref # 132)	132BA0618	5