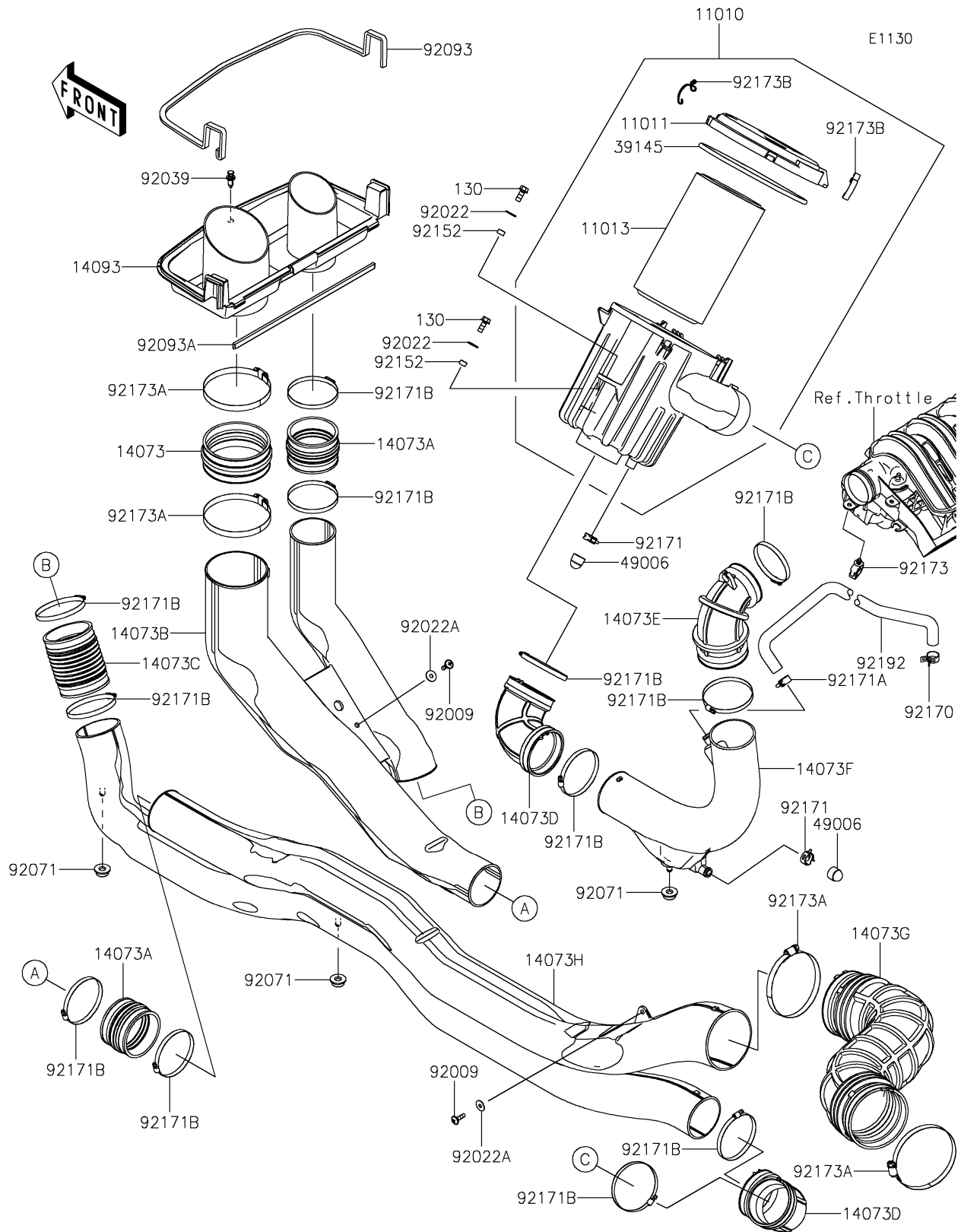


2026 RIDGE CREW

PARTS DIAGRAM

Air Cleaner



2026 RIDGE CREW

PARTS LIST

Air Cleaner



ITEM NAME	PART NUMBER	QUANTITY
-----------	-------------	----------
