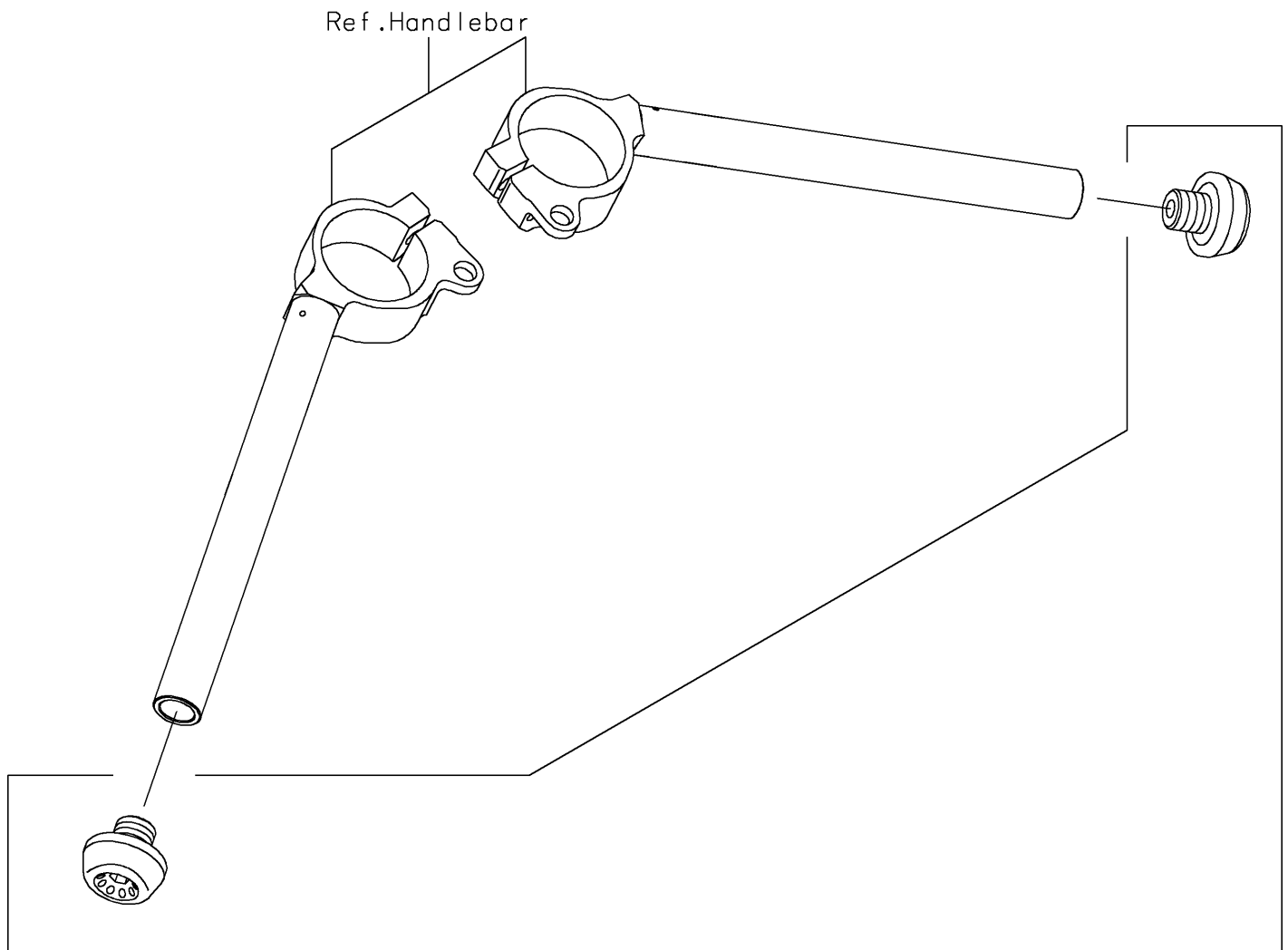


2026 NINJA H2[®]R ABS

PARTS DIAGRAM

Accessory

F2910



99994

2026 NINJA H2[®]R ABS

PARTS LIST

Accessory

ITEM NAME	PART NUMBER	QUANTITY
KIT-ACCESSORY,HANDLE WEIGHT (Ref # 99994)	99994-1047	1