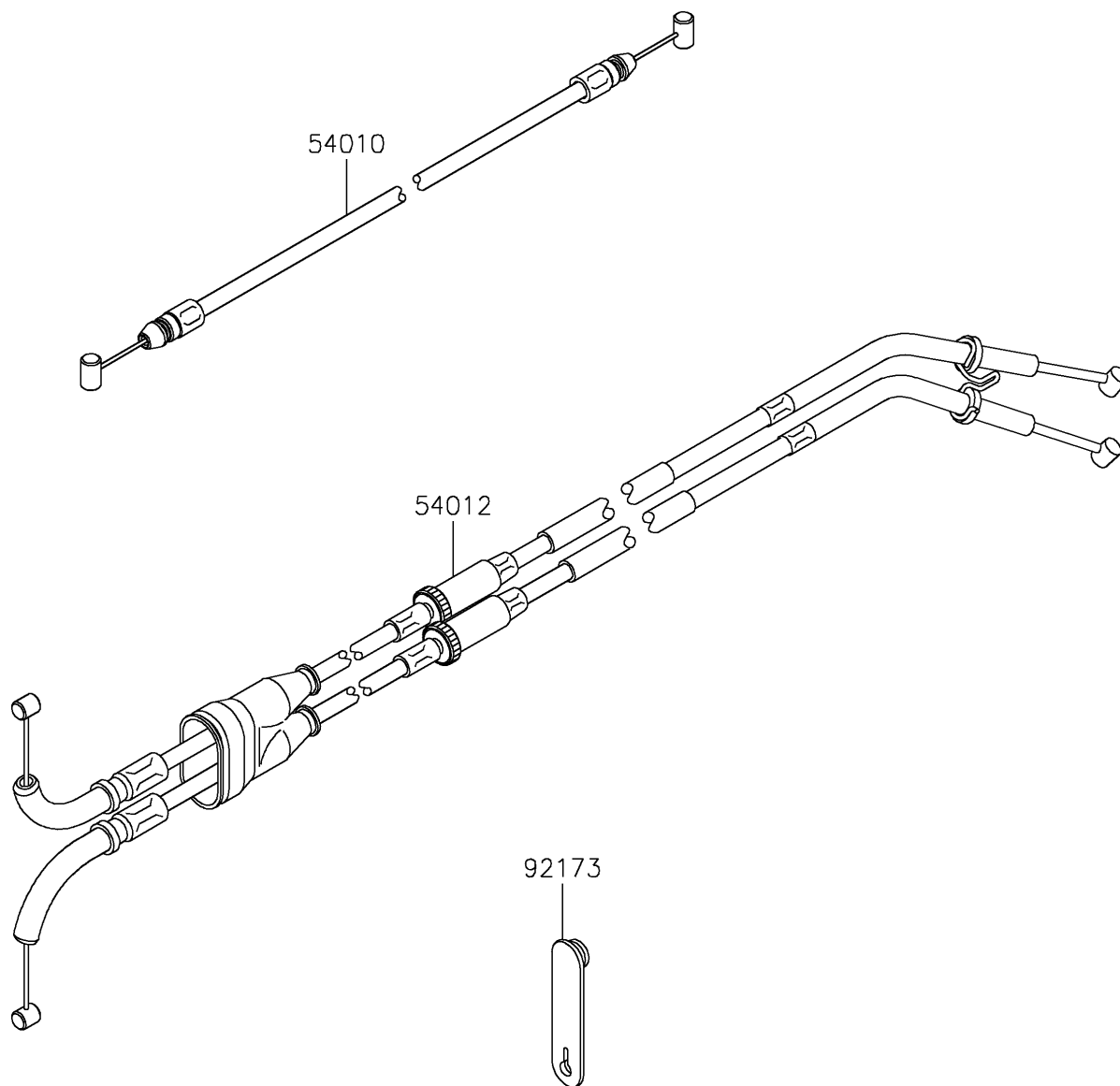


2026 NINJA H2[®]R ABS

PARTS DIAGRAM

Cables

F2540



2026 NINJA H2[®]R ABS

PARTS LIST

Cables

ITEM NAME	PART NUMBER	QUANTITY
CABLE,SEAT LOCK (Ref # 54010)	54010-0573	1
CABLE-THROTTLE (Ref # 54012)	54012-0628	1
CLAMP,RUBBER PLATE (Ref # 92173)	92173-1229	1