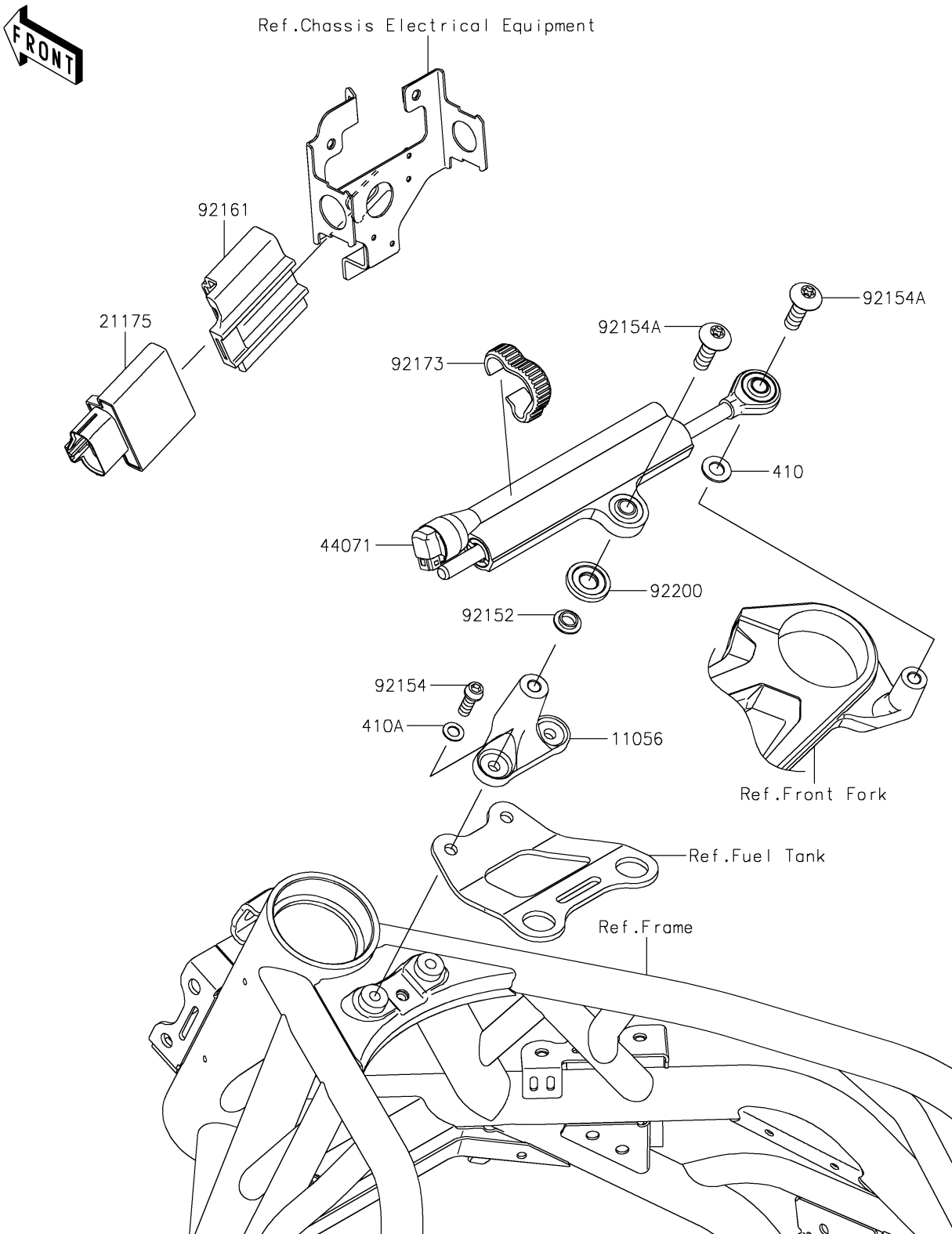


2026 NINJA H2[®]R ABS

PARTS DIAGRAM

Steering Damper

F2313



2026 NINJA H2[®]R ABS

PARTS LIST

Steering Damper

ITEM NAME

PART NUMBER

QUANTITY
