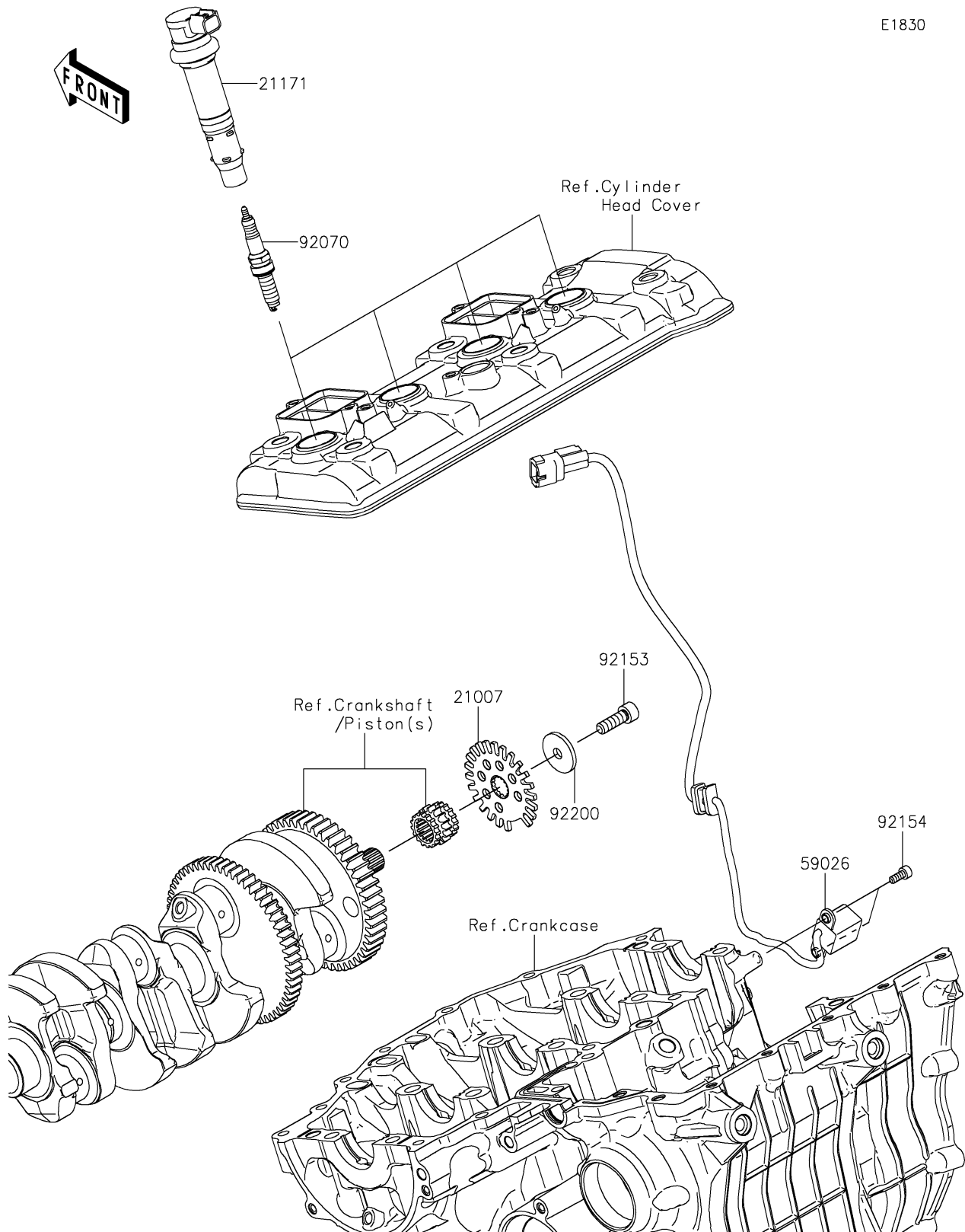


2026 NINJA H2[®]R ABS

PARTS DIAGRAM

Ignition System

E1830



2026 NINJA H2[®]R ABS

PARTS LIST

Ignition System

ITEM NAME	PART NUMBER	QUANTITY
ROTOR,PULSING (Ref # 21007)	21007-0622	1
COIL-ASSY-IGNITION (Ref # 21171)	21171-0732	4
COIL-PULSING (Ref # 59026)	59026-0042	1
PLUG-SPARK,SILMAR9B9(NGK) (Ref # 92070)	92070-0047	4
BOLT,8X25 (Ref # 92153)	92153-1191	1
BOLT,SOCKET,5X12 (Ref # 92154)	92154-1540	2
WASHER,8.2X30X3 (Ref # 92200)	92200-2142	1