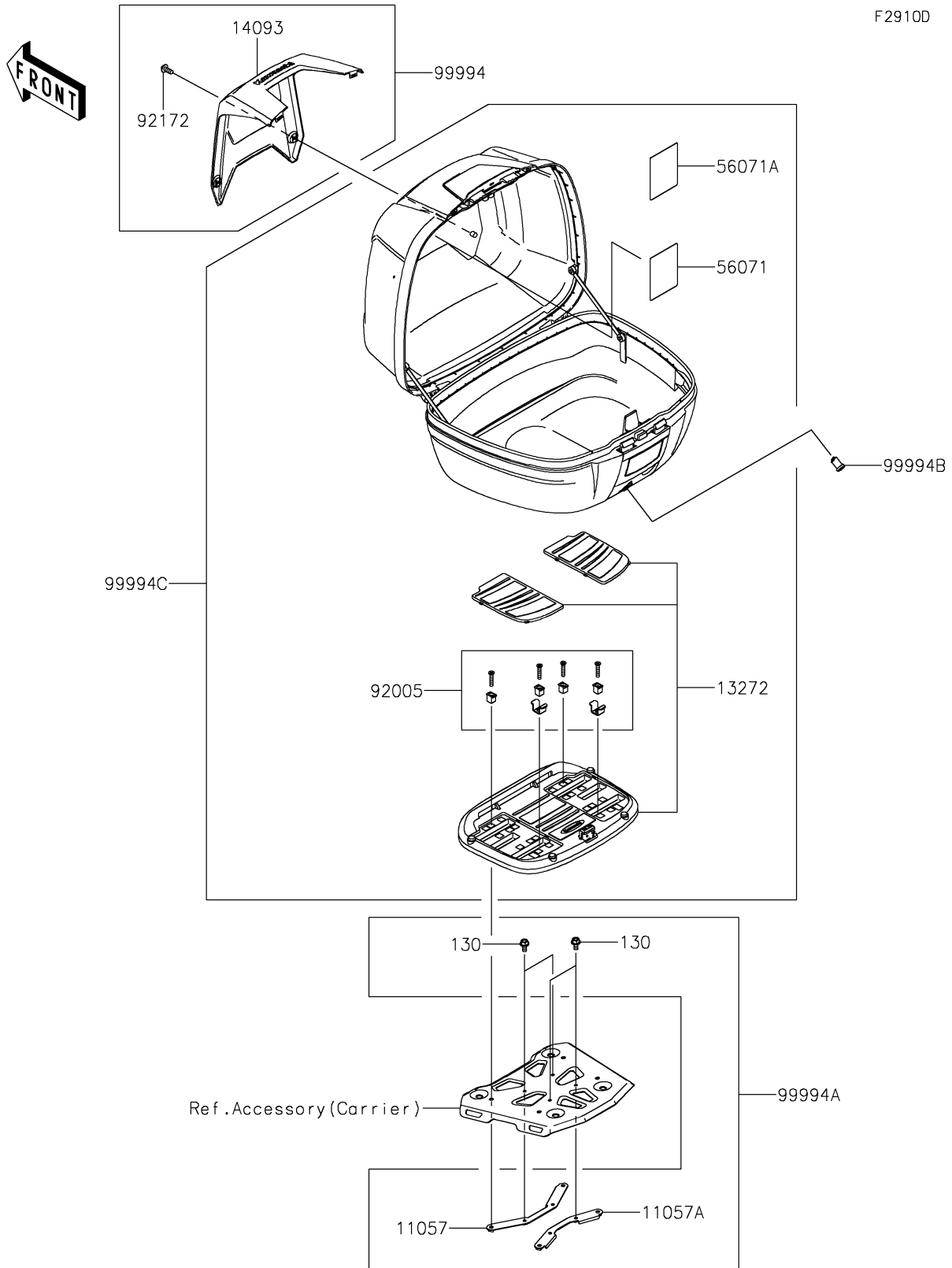


2026 KLE® 500 SE ABS

PARTS DIAGRAM

Accessory(Top Case)



2026 KLE[®] 500 SE ABS

PARTS LIST

Accessory(Top Case)

ITEM NAME

PART NUMBER

QUANTITY
