

# 2026 KLE® 500 SE ABS

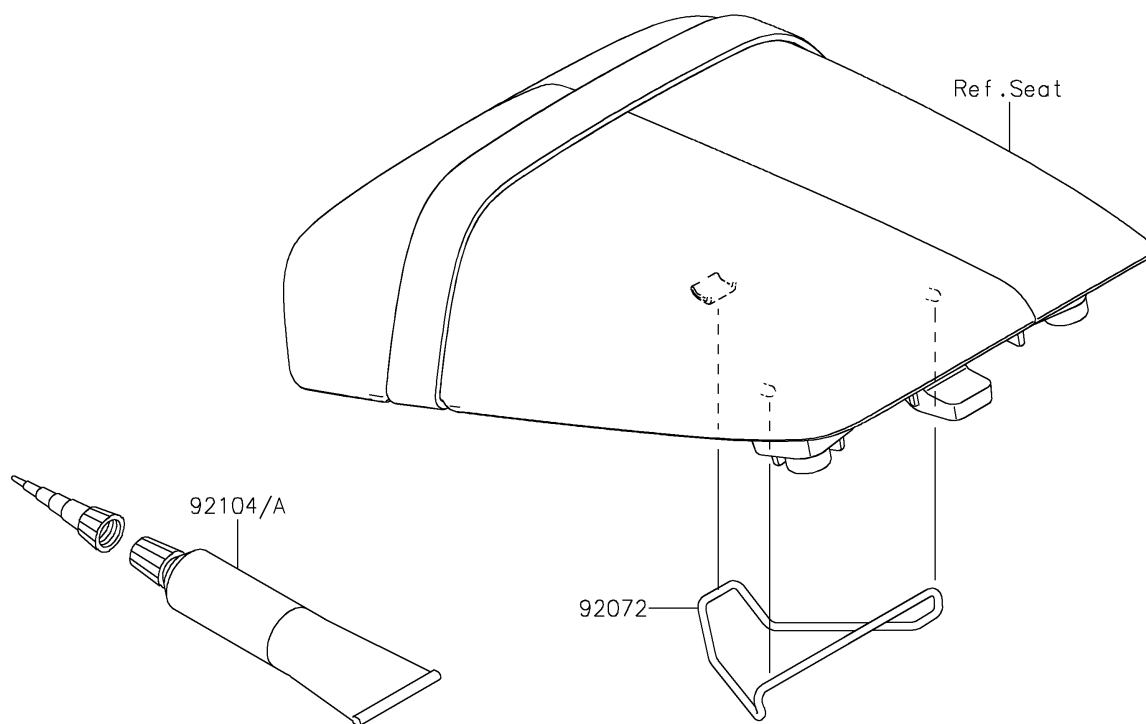
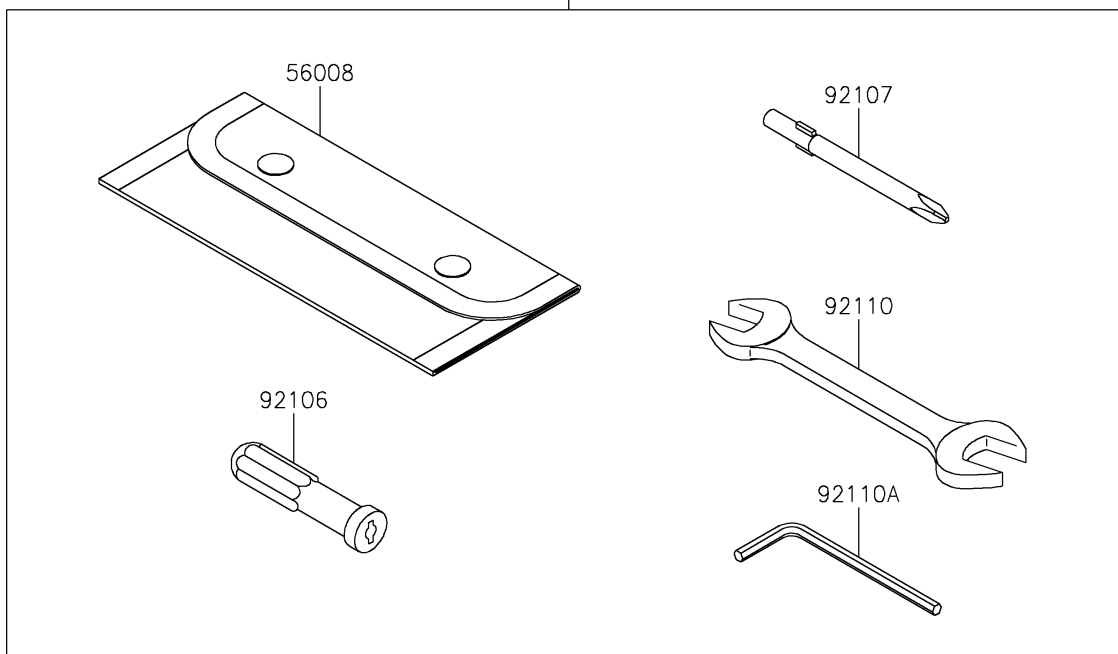
## PARTS DIAGRAM

### Owner's Tools

F2810



56007



# 2026 KLE<sup>®</sup> 500 SE ABS

## PARTS LIST

### Owner's Tools

ITEM NAME	PART NUMBER	QUANTITY
TOOL-KIT (Ref # 56007)	56007-0209	1
BAG (Ref # 56008)	56008-0038	1
BAND (Ref # 92072)	92072-0874	1
GASKET-LIQUID,TB1211F,CLEAR (Ref # 92104)	92104-0004	1
GASKET-LIQUID,TB1216B,BLACK (Ref # 92104A)	92104-1064	1
GRIP-SCREW DRIVER (Ref # 92106)	92106-0004	1
TOOL-DRIVER,#2PHILLIPS (Ref # 92107)	92107-0020	1
TOOL-WRENCH,OPEN END,12X14 (Ref # 92110)	92110-0565	1
TOOL-WRENCH,ALLEN,4MM (Ref # 92110A)	92110-0567	1