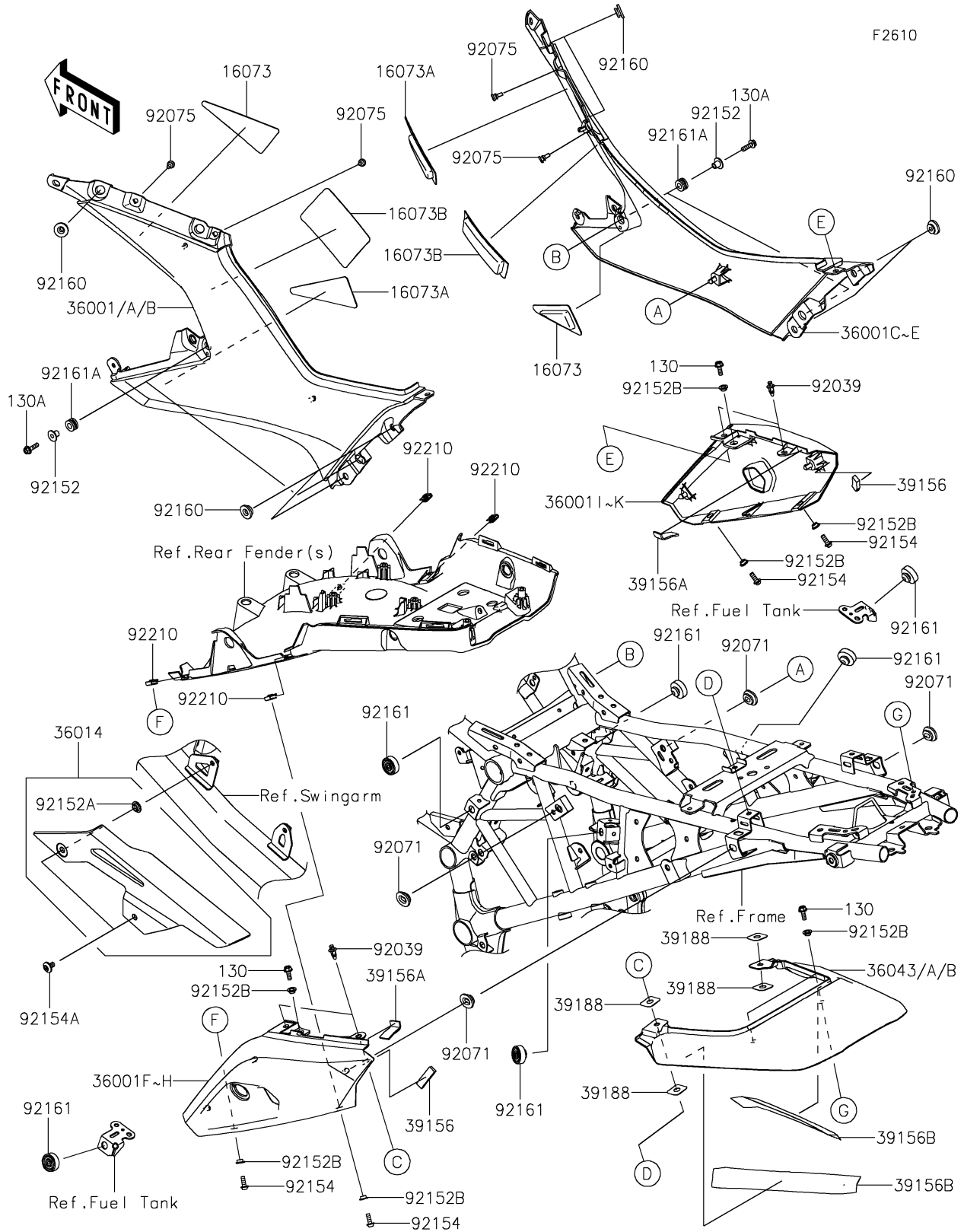


# 2026 KLE® 500 SE ABS

## PARTS DIAGRAM

### Side Covers/Chain Cover



# 2026 KLE® 500 SE ABS

**Kawasaki**

Let the Good Times Roll®

## PARTS LIST

### Side Covers/Chain Cover

ITEM NAME	PART NUMBER	QUANTITY
INSULATOR (Ref # 16073)	16073-1170	2
INSULATOR (Ref # 16073A)	16073-1171	2
INSULATOR (Ref # 16073B)	16073-1172	2
COVER-SIDE,FR,LH,P.S.GRAY (Ref # 36001)	36001-0802-36S	1
COVER-SIDE,FR,LH,P.B.WHITE (Ref # 36001A)	36001-0802-54X	1
COVER-SIDE,FR,LH,B.D.GREEN (Ref # 36001B)	36001-0802-79H	1
COVER-SIDE,FR,RH,P.S.GRAY (Ref # 36001C)	36001-0803-36S	1
COVER-SIDE,FR,RH,P.B.WHITE (Ref # 36001D)	36001-0803-54X	1
COVER-SIDE,FR,RH,B.D.GREEN (Ref # 36001E)	36001-0803-79H	1
COVER-SIDE,RR,LH,P.S.GRAY (Ref # 36001F)	36001-0804-36S	1
COVER-SIDE,RR,LH,P.B.WHITE (Ref # 36001G)	36001-0804-54X	1
COVER-SIDE,RR,LH,B.D.GREEN (Ref # 36001H)	36001-0804-79H	1
COVER-SIDE,RR,RH,P.S.GRAY (Ref # 36001I)	36001-0805-36S	1
COVER-SIDE,RR,RH,P.B.WHITE (Ref # 36001J)	36001-0805-54X	1
COVER-SIDE,RR,RH,B.D.GREEN (Ref # 36001K)	36001-0805-79H	1
CASE-CHAIN (Ref # 36014)	36014-0044	1
COVER-TAIL,P.S.GRAY (Ref # 36043)	36043-0011-36S	1
COVER-TAIL,P.B.WHITE (Ref # 36043A)	36043-0011-54X	1
COVER-TAIL,B.D.GREEN (Ref # 36043B)	36043-0011-79H	1
PAD,35X10X5 (Ref # 39156)	39156-3874	2
PAD,35X17X2 (Ref # 39156A)	39156-3875	2
PAD,TAIL COVER (Ref # 39156B)	39156-3899	2
TAPE,TAIL COVER (Ref # 39188)	39188-0628	4
RIVET (Ref # 92039)	92039-0709	4
GROMMET,20X24X7.5 (Ref # 92071)	92071-0766	4
DAMPER,6X10X15 (Ref # 92075)	92075-1808	4
COLLAR (Ref # 92152)	92152-0329	4
COLLAR,8.8X11.2X4 (Ref # 92152A)	92152-0909	2
COLLAR,6X8X4.5 (Ref # 92152B)	92152-2395	8

# 2026 KLE<sup>®</sup> 500 SE ABS

## PARTS LIST

### Side Covers/Chain Cover

ITEM NAME	PART NUMBER	QUANTITY
BOLT,HEX HEAD,5X14 (Ref # 92154)	92154-4228	4
BOLT,SOCKET,6X10 (Ref # 92154A)	92154-4307	2
DAMPER (Ref # 92160)	92160-1613	8
DAMPER,SEAT,10X25X8 (Ref # 92161)	92161-0095	6
DAMPER (Ref # 92161A)	92161-2855	4
NUT (Ref # 92210)	92210-0571	4
BOLT-FLANGED,5X14 (Ref # 130)	130BA0514	4
BOLT-FLANGED,5X18 (Ref # 130A)	130BB0518	4