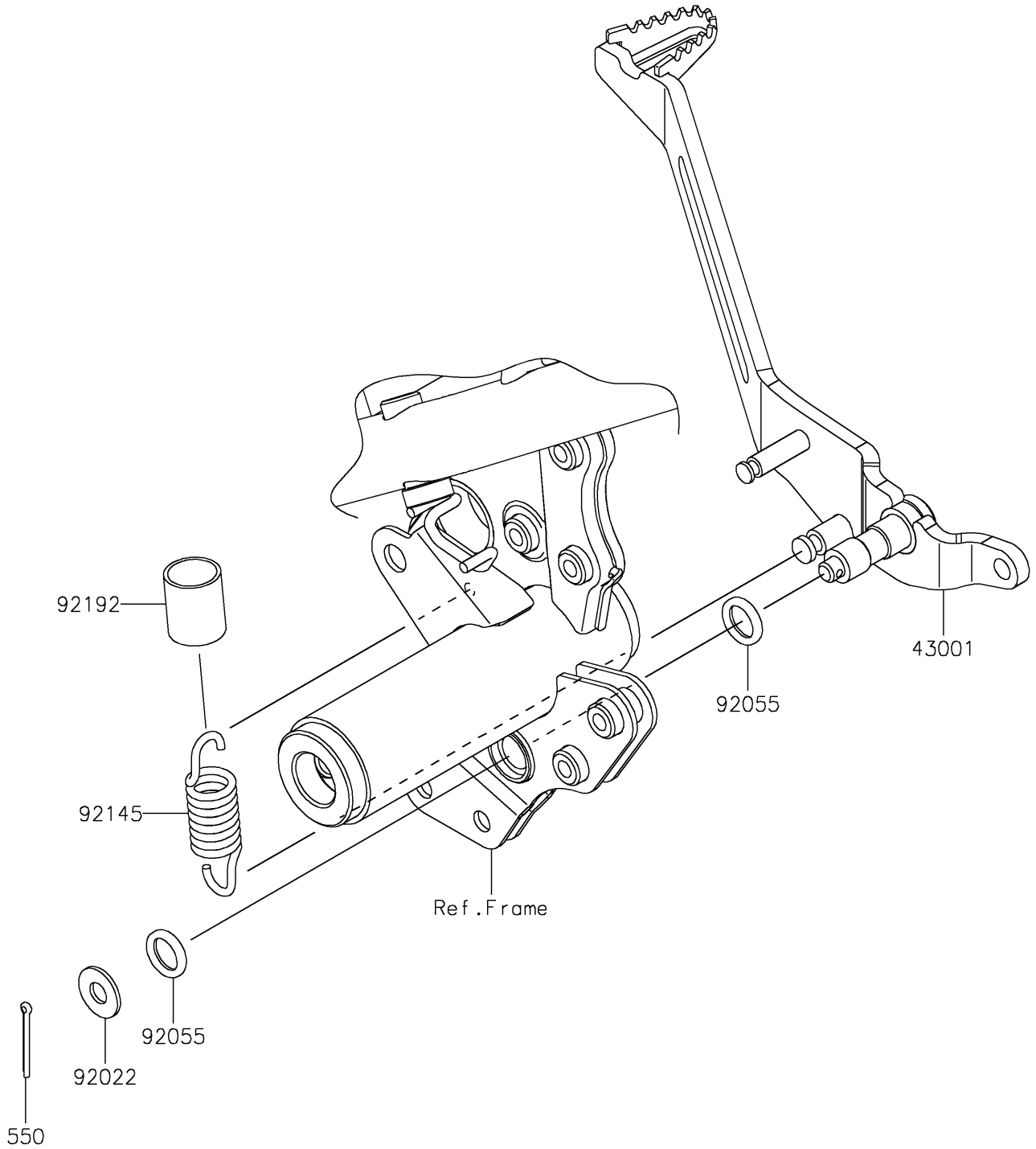


2026 KLE[®] 500 SE ABS

PARTS DIAGRAM

Brake Pedal

F2260



2026 KLE[®] 500 SE ABS

PARTS LIST

Brake Pedal

ITEM NAME	PART NUMBER	QUANTITY
LEVER-BRAKE (Ref # 43001)	43001-0800	1
WASHER,8.5X20X1.6 (Ref # 92022)	92022-1561	1
RING-O,OD=18.5 (Ref # 92055)	92055-0168	2
SPRING,BRAKE PEDAL RETURN (Ref # 92145)	92145-2480	1
TUBE,18X21X25 (Ref # 92192)	92192-2496	1
PIN-COTTER,2.5X25 (Ref # 550)	550AA2525	1