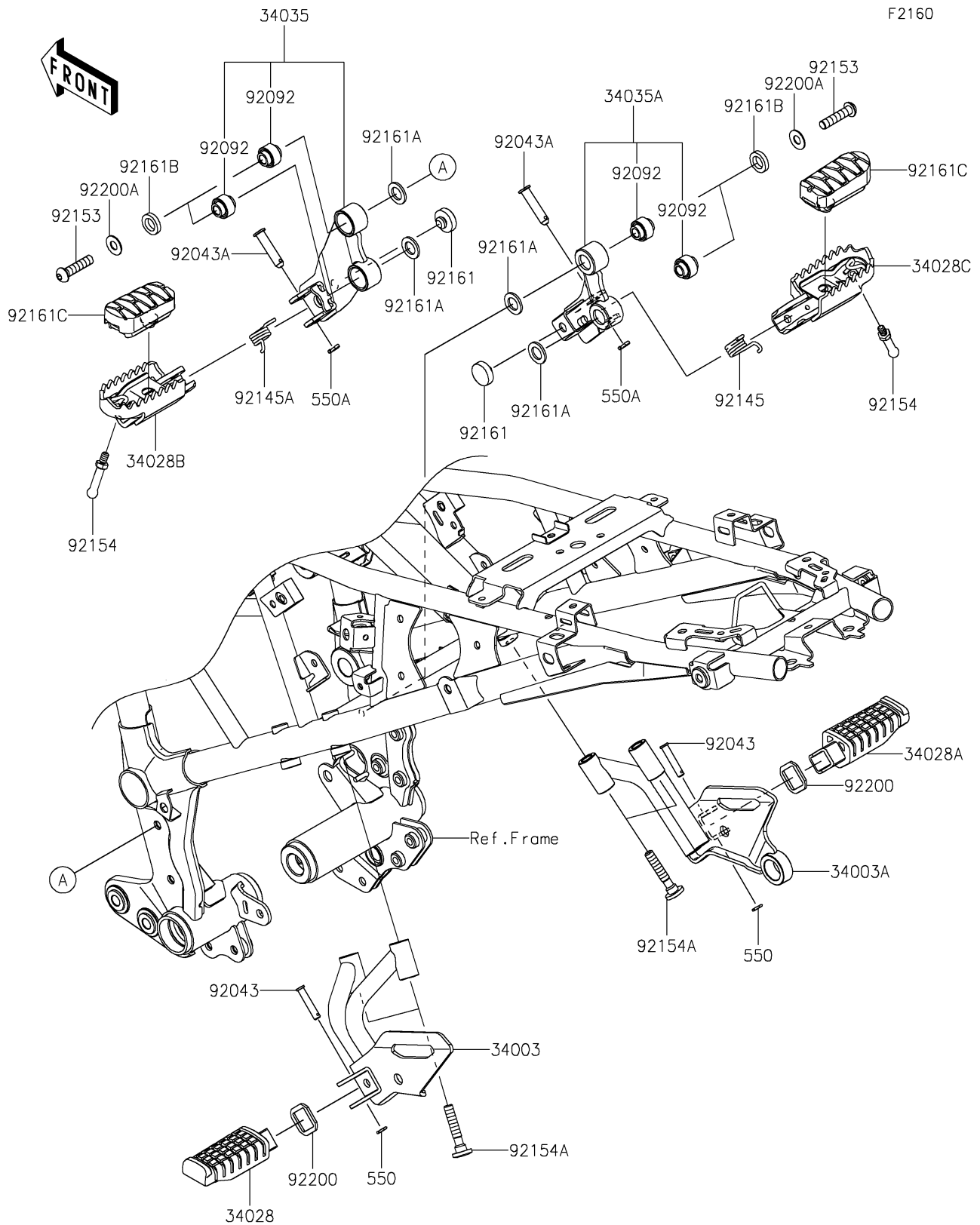


# 2026 KLE500 SE ABS

## PARTS DIAGRAM

### Footrests



# 2026 KLE500 SE ABS

## PARTS LIST

### Footrests

ITEM NAME	PART NUMBER	QUANTITY
HOLDER-STEP,RR,LH (Ref # 34003)	34003-0215	1
HOLDER-STEP,RR,RH (Ref # 34003A)	34003-0216	1
STEP,RR,LH (Ref # 34028)	34028-0134	1
STEP,RR,RH (Ref # 34028A)	34028-0135	1
STEP,FR,LH (Ref # 34028B)	34028-0459	1
STEP,FR,RH (Ref # 34028C)	34028-0460	1
HOLDER-ASSY-STEP,FR,LH (Ref # 34035)	34035-0007	1
HOLDER-ASSY-STEP,FR,RH (Ref # 34035A)	34035-0008	1
PIN,6X28 (Ref # 92043)	92043-1464	2
PIN,8X31.5 (Ref # 92043A)	92043-1930	2
BUSHING-RUBBER,8.4X20X18 (Ref # 92092)	92092-1018	4
SPRING,STEP,RH (Ref # 92145)	92145-2507	1
SPRING,STEP,LH (Ref # 92145A)	92145-2508	1
BOLT,SOCKET,8X35 (Ref # 92153)	92153-0419	4
BOLT,BANK SENSOR (Ref # 92154)	92154-1186	2
BOLT,SOCKET,8X44 (Ref # 92154A)	92154-4427	4
DAMPER (Ref # 92161)	92161-0336	2
DAMPER,12.5X21X2 (Ref # 92161A)	92161-0943	4
DAMPER,12.5X20X4 (Ref # 92161B)	92161-0944	4
DAMPER,STEP (Ref # 92161C)	92161-2706	2
WASHER,RR STEP (Ref # 92200)	92200-0561	2
WASHER,8.5X19X1 (Ref # 92200A)	92200-1733	4
PIN-COTTER,2.0X15 (Ref # 550)	550AA2015	2
PIN-COTTER,2.5X15 (Ref # 550A)	550AA2515	2