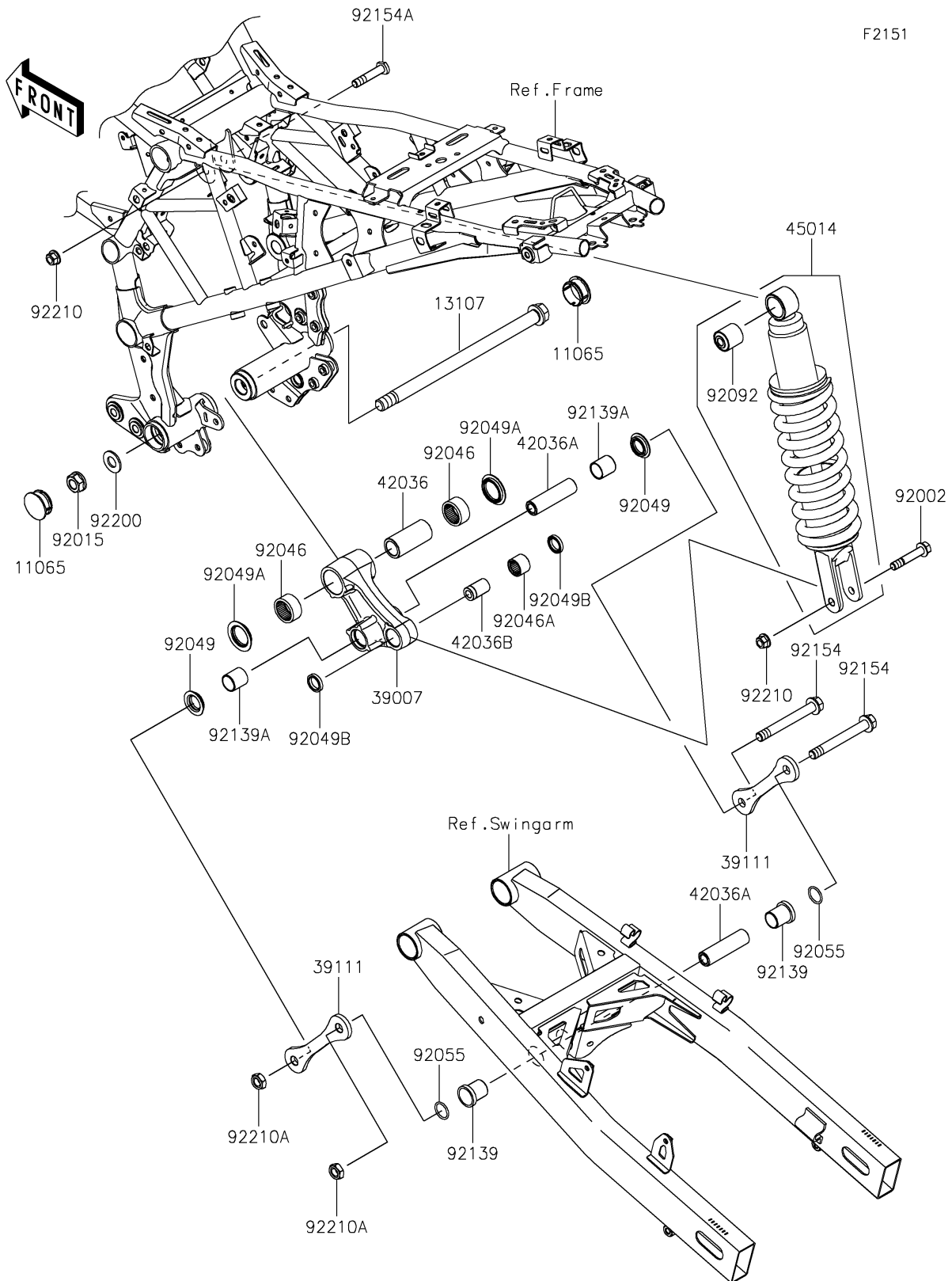


2026 KLE[®] 500 SE ABS

PARTS DIAGRAM

Suspension/Shock Absorber



2026 KLE[®] 500 SE ABS

PARTS LIST

Suspension/Shock Absorber

ITEM NAME

PART NUMBER

QUANTITY
