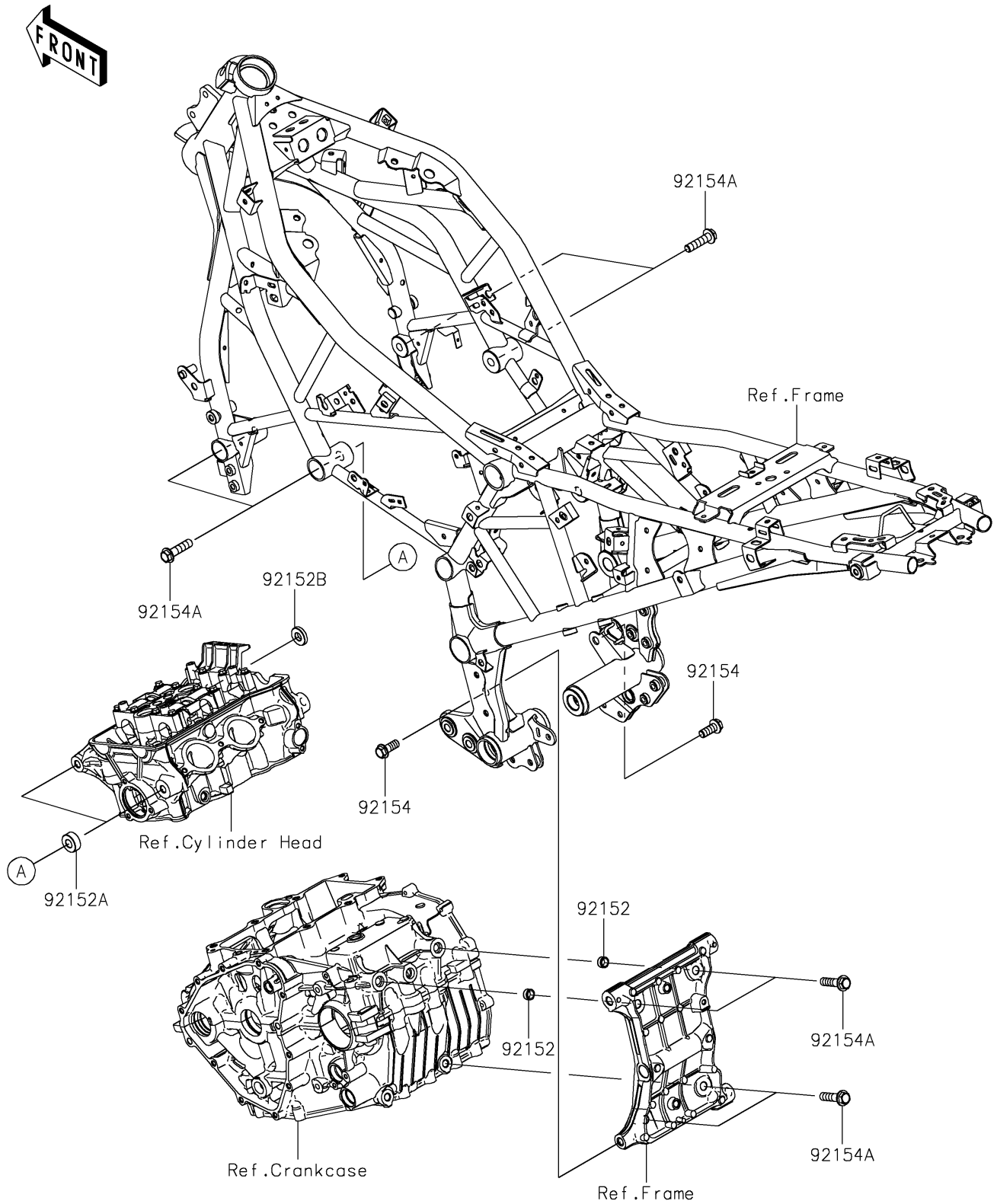


2026 KLE[®] 500 SE ABS

PARTS DIAGRAM

Engine Mount

F2122



2026 KLE[®] 500 SE ABS

PARTS LIST

Engine Mount

ITEM NAME	PART NUMBER	QUANTITY
-----------	-------------	----------
