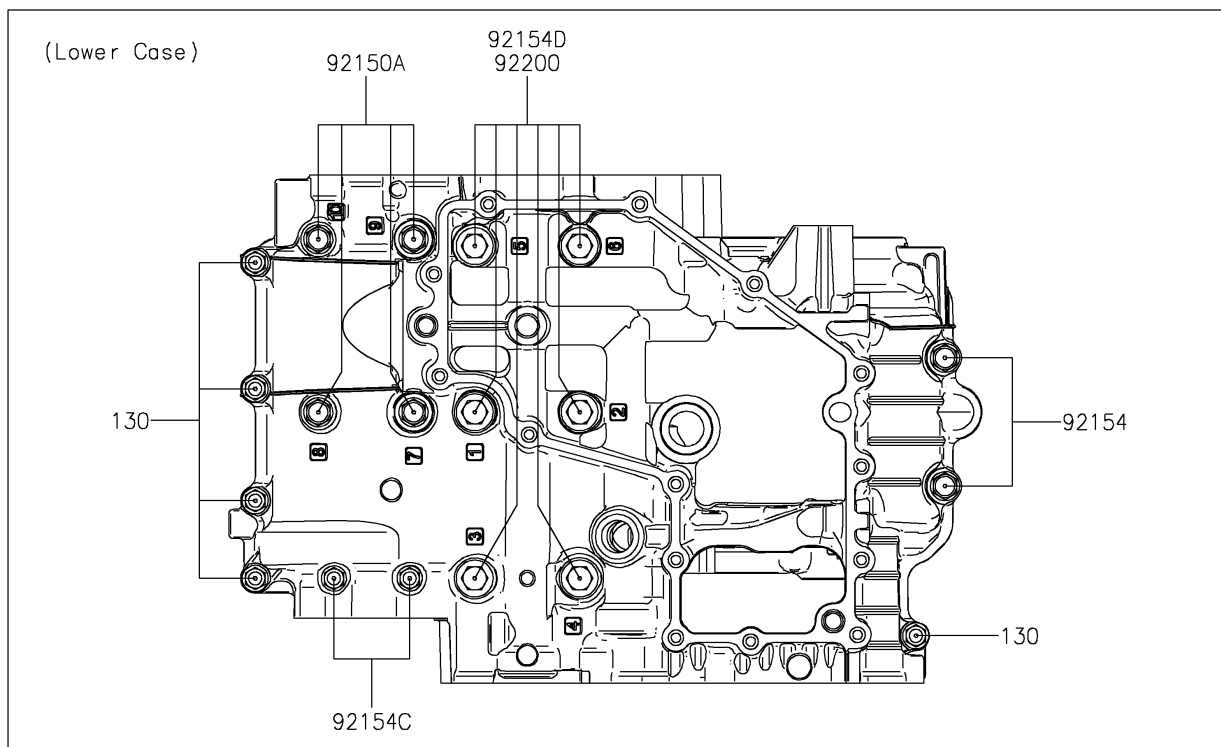
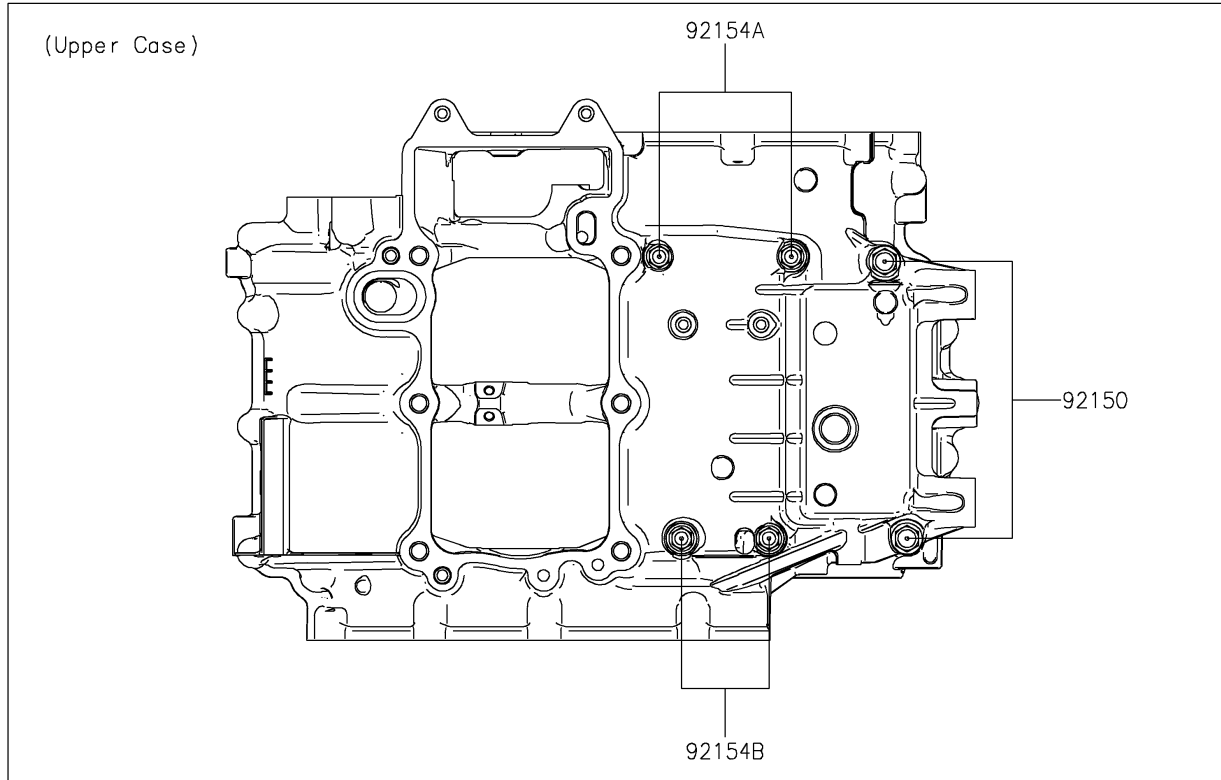


2026 KLE[®] 500 SE ABS

PARTS DIAGRAM

Crankcase Bolt Pattern

E1412



2026 KLE® 500 SE ABS

PARTS LIST

Crankcase Bolt Pattern

| ITEM NAME | PART NUMBER | QUANTITY |
|-----------------------------------|-------------|----------|
| BOLT,8X80 (Ref # 92150) | 92150-1162 | 2 |
| BOLT,8X70 (Ref # 92150A) | 92150-1483 | 4 |
| BOLT,FLANGED,8X40 (Ref # 92154) | 92154-0992 | 2 |
| BOLT,FLANGED,6X72 (Ref # 92154A) | 92154-2679 | 2 |
| BOLT,FLANGED,6X52 (Ref # 92154B) | 92154-2680 | 2 |
| BOLT,FLANGED,6X76 (Ref # 92154C) | 92154-2681 | 2 |
| BOLT,FLANGED,9X105 (Ref # 92154D) | 92154-7020 | 6 |
| WASHER,9.2X19X2.3 (Ref # 92200) | 92200-0115 | 6 |
| BOLT-FLANGED,6X30 (Ref # 130) | 130CA0630 | 5 |