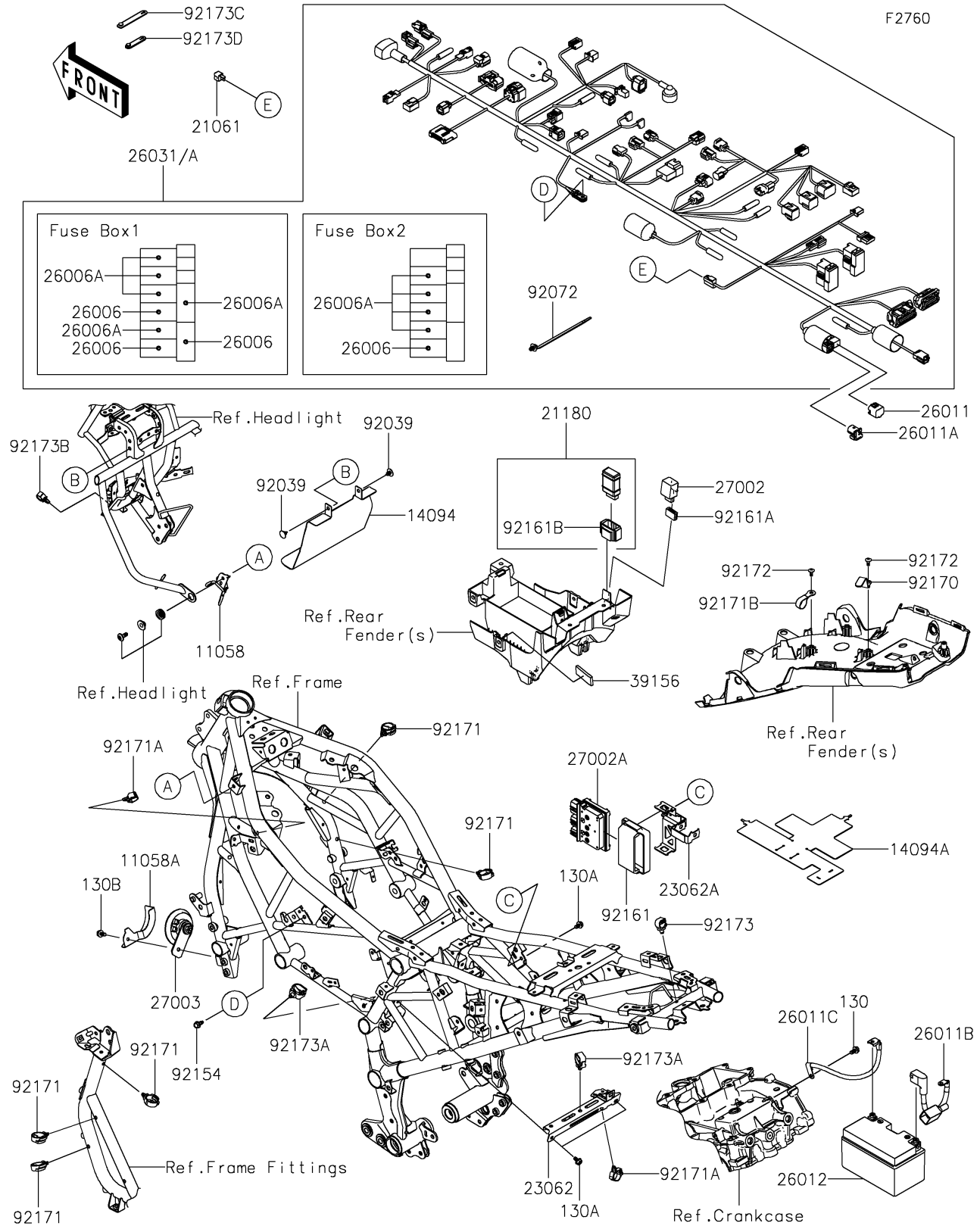


2026 KLE500 ABS

PARTS DIAGRAM

Chassis Electrical Equipment



2026 KLE500 ABS

PARTS LIST

Chassis Electrical Equipment

ITEM NAME

PART NUMBER

QUANTITY
