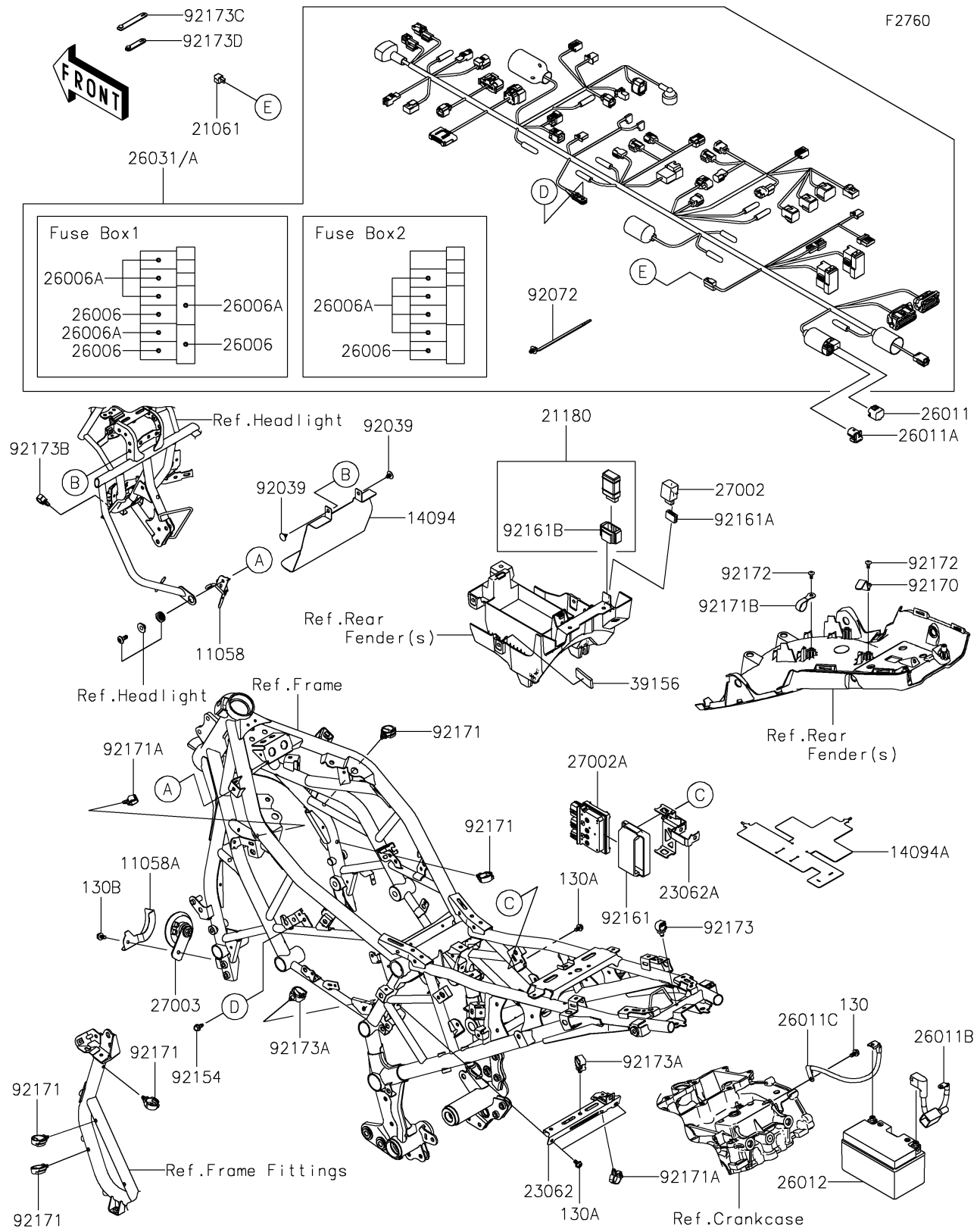


2026 KLE® 500 ABS

PARTS DIAGRAM

Chassis Electrical Equipment



2026 KLE® 500 ABS

PARTS LIST

Chassis Electrical Equipment

ITEM NAME	PART NUMBER	QUANTITY
BRACKET,HOUSING (Ref # 11058)	11058-2943	1
BRACKET,HORN (Ref # 11058A)	11058-4379	1
COVER (Ref # 14094)	14094-0557	1
COVER,MAGNETIC SWITCH (Ref # 14094A)	14094-0623	1
RECTIFIER (Ref # 21061)	21061-1003	1
TRANSCEIVER,BLUETOOTH (Ref # 21180)	21180-0013	1
BRACKET-COMP (Ref # 23062)	23062-1587	1
BRACKET-COMP (Ref # 23062A)	23062-1784	1
FUSE,MINI BLADE,15A,BLUE (Ref # 26006)	26006-0001	4
FUSE,MINI BLADE,10A,RED (Ref # 26006A)	26006-1078	9
WIRE-LEAD,CONNECTOR COVER (Ref # 26011)	26011-0275	1
WIRE-LEAD,DIAG CONNECTOR (Ref # 26011A)	26011-1901	1
WIRE-LEAD,BATTERY(+) (Ref # 26011B)	26011-2508	1
WIRE-LEAD,BATTERY(-) (Ref # 26011C)	26011-2509	1
BATTERY,YTZ10,12V 8.6AH (Ref # 26012)	26012-1606	1
HARNESS,MAIN (Ref # 26031)	26031-4358	1
HARNESS,MAIN (Ref # 26031A)	26031-4359	1
RELAY-ASSY,SIGNAL LAMP (Ref # 27002)	27002-0006	1
RELAY-ASSY (Ref # 27002A)	27002-0061	1
HORN (Ref # 27003)	27003-0065	1
PAD,20X50X5 (Ref # 39156)	39156-2191	1
RIVET (Ref # 92039)	92039-0722	2
BAND,OS170-FT7(BLACK) (Ref # 92072)	92072-1414	AR
BOLT,FLANGED,6X16 (Ref # 92154)	92154-0551	1
DAMPER,RELAY BOX (Ref # 92161)	92161-0203	1
DAMPER,15X25X8.5 (Ref # 92161A)	92161-1443	1
DAMPER (Ref # 92161B)	92161-2516	1
CLAMP (Ref # 92170)	92170-1925	1
CLAMP,20MM DIA. (Ref # 92171)	92171-0069	5

2026 KLE[®] 500 ABS

PARTS LIST

Chassis Electrical Equipment

ITEM NAME	PART NUMBER	QUANTITY
CLAMP,BRAKE HOSE (Ref # 92171A)	92171-0316	2
CLAMP (Ref # 92171B)	92171-1279	1
SCREW,5X12 (Ref # 92172)	92172-0821	2
CLAMP,12MM DIA. (Ref # 92173)	92173-0736	1
CLAMP (Ref # 92173A)	92173-0861	2
CLAMP (Ref # 92173B)	92173-1951	1
CLAMP (Ref # 92173C)	92173-2194	2
CLAMP (Ref # 92173D)	92173-2198	1
BOLT-FLANGED,6X12 (Ref # 130)	130BA0612	1
BOLT-FLANGED,6X10 (Ref # 130A)	130BB0610	3
BOLT-FLANGED,6X12 (Ref # 130B)	130BB0612	1