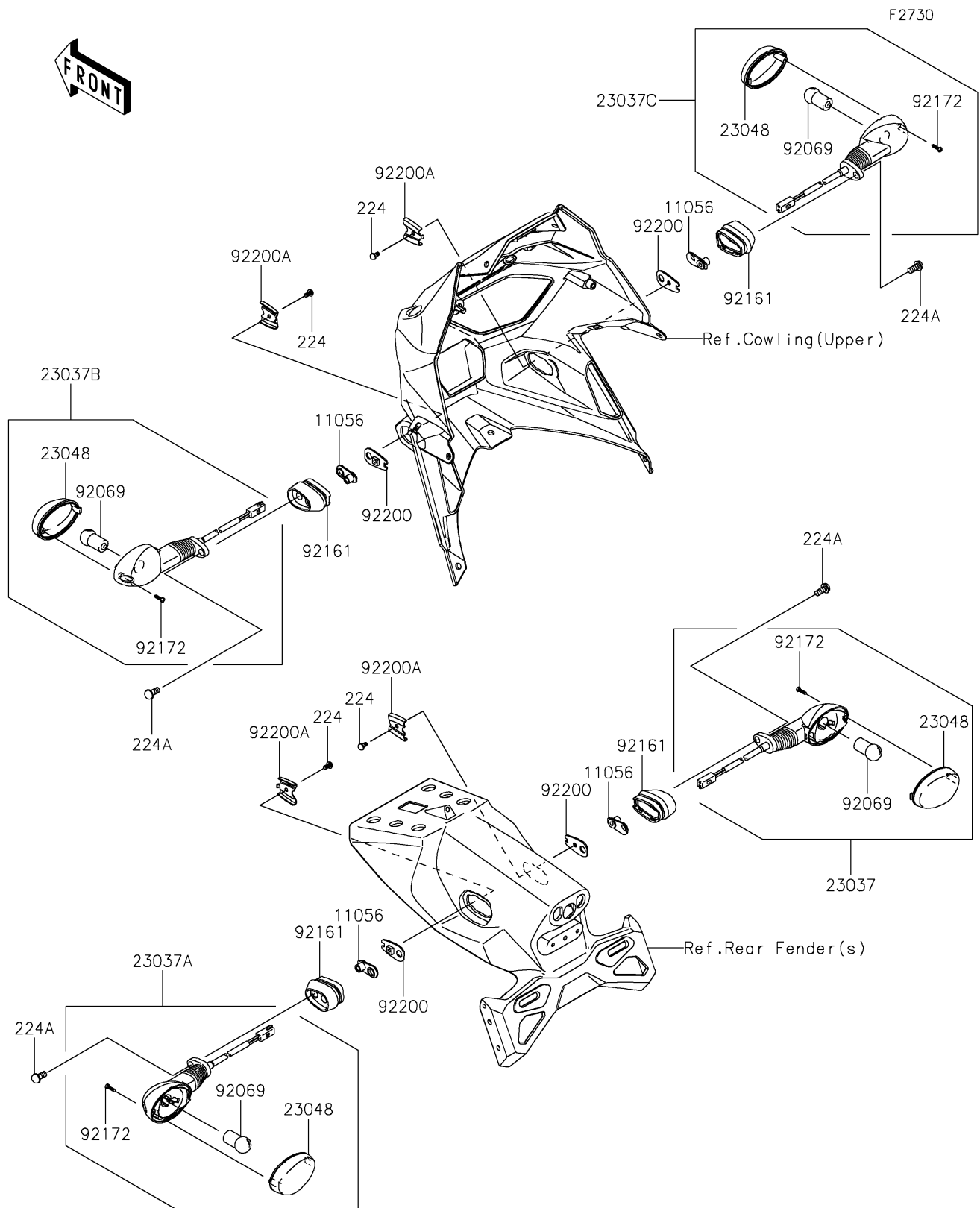


# 2026 KLE500 ABS

## PARTS DIAGRAM

### Turn Signals



# 2026 KLE500 ABS

## PARTS LIST

### Turn Signals

**ITEM NAME**

**PART NUMBER**

**QUANTITY**

---