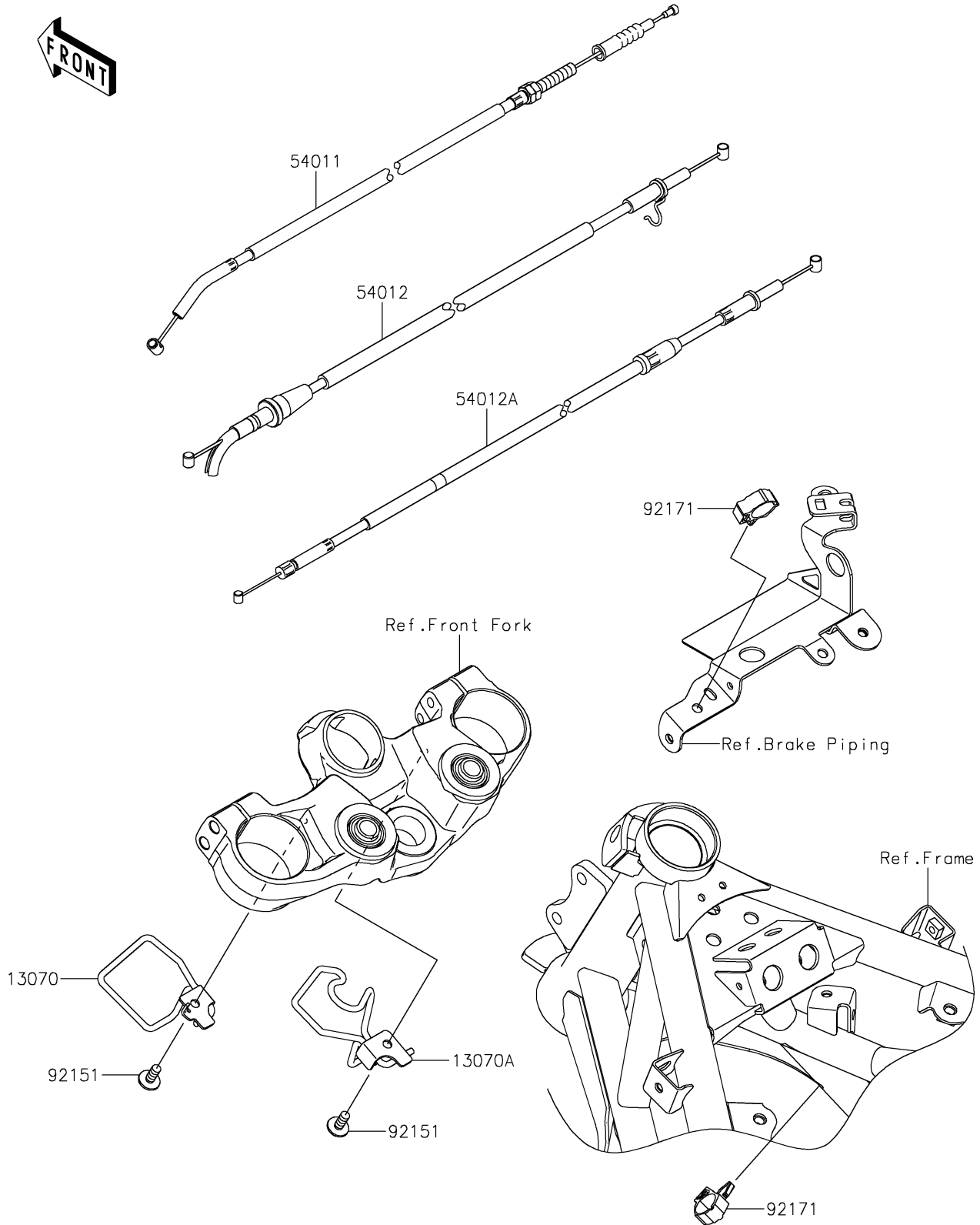


2026 KLE500 ABS

PARTS DIAGRAM

Cables

F2540



2026 KLE500 ABS

PARTS LIST

Cables

ITEM NAME	PART NUMBER	QUANTITY
GUIDE,LH (Ref # 13070)	13070-1527	1
GUIDE,RH (Ref # 13070A)	13070-1528	1
CABLE-CLUTCH (Ref # 54011)	54011-0673	1
CABLE-THROTTLE,OPENING (Ref # 54012)	54012-0752	1
CABLE-THROTTLE,CLOSING (Ref # 54012A)	54012-0753	1
BOLT,SOCKET,6X14 (Ref # 92151)	92151-1654	2
CLAMP,BRAKE HOSE (Ref # 92171)	92171-0316	2