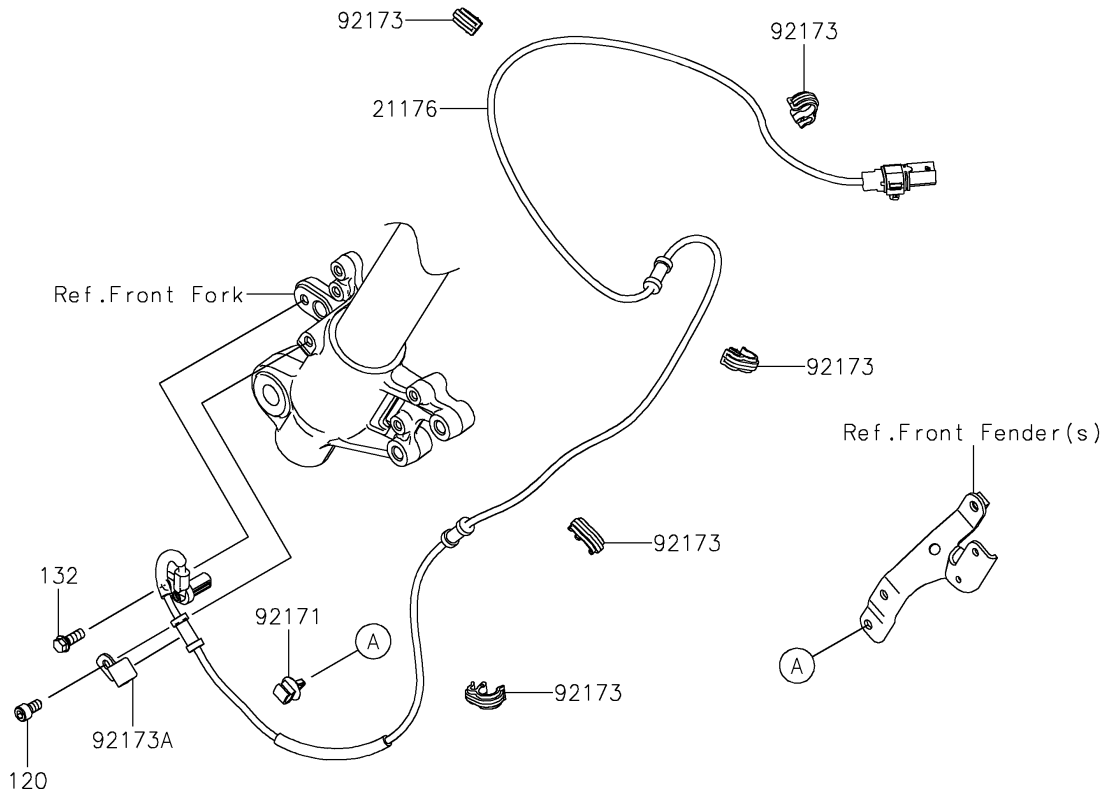
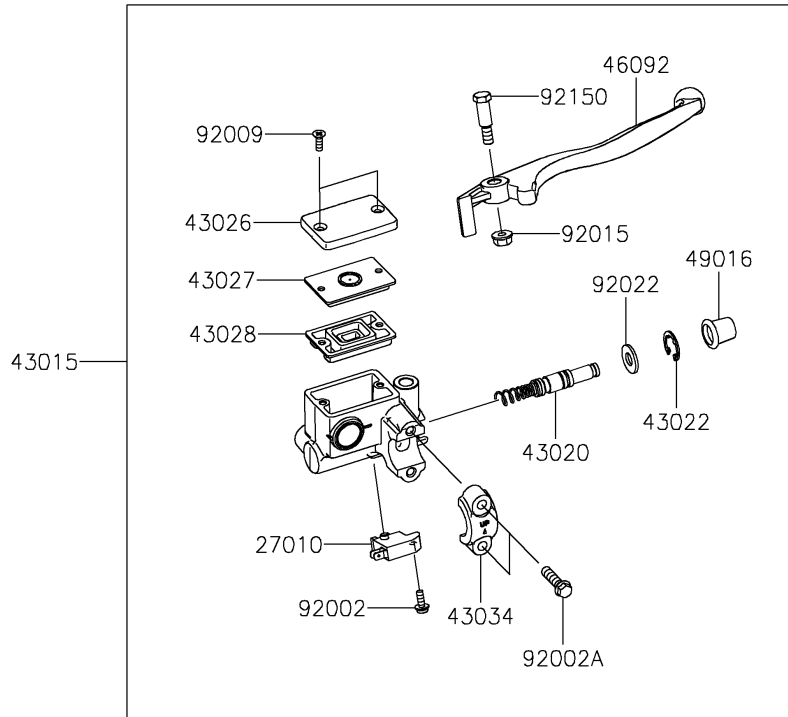


2026 KLE[®] 500 ABS

PARTS DIAGRAM

Front Master Cylinder

F2291



2026 KLE® 500 ABS

PARTS LIST

Front Master Cylinder

ITEM NAME	PART NUMBER	QUANTITY
SENSOR,SPEED,FR (Ref # 21176)	21176-1287	1
SWITCH,BRAKE (Ref # 27010)	27010-0762	1
CYLINDER-ASSY-MASTER,FR (Ref # 43015)	43015-0843	1
PISTON-COMP-BRAKE (Ref # 43020)	43020-1126	1
STOPPER-BRAKE,PISTON (Ref # 43022)	43022-1010	1
CAP-BRAKE (Ref # 43026)	43026-1082	1
PLATE-DIAPHRAGM (Ref # 43027)	43027-1057	1
DIAPHRAGM (Ref # 43028)	43028-1061	1
HOLDER-BRAKE,MASTER CYLINDER (Ref # 43034)	43034-1016	1
LEVER-GRIP,FRONT BRAKE (Ref # 46092)	46092-1208	1
COVER-SEAL,MASTER CYLINDER (Ref # 49016)	49016-1044	1
BOLT,SCREW,4X12 (Ref # 92002)	92002-1323	1
BOLT (Ref # 92002A)	92002-1894	2
SCREW,4MM (Ref # 92009)	92009-1458	2
NUT,FLANGED,6MM (Ref # 92015)	92015-1528	1
WASHER (Ref # 92022)	92022-1814	1
BOLT,LEVER SET (Ref # 92150)	92150-1451	1
CLAMP (Ref # 92171)	92171-0640	1
CLAMP,HOSE&SENSOR LINE (Ref # 92173)	92173-1613	5
CLAMP (Ref # 92173A)	92173-2931	1
BOLT-SOCKET,6X12 (Ref # 120)	120CA0612	1
BOLT-FLANGED-SMALL,6X16 (Ref # 132)	132BA0616	1