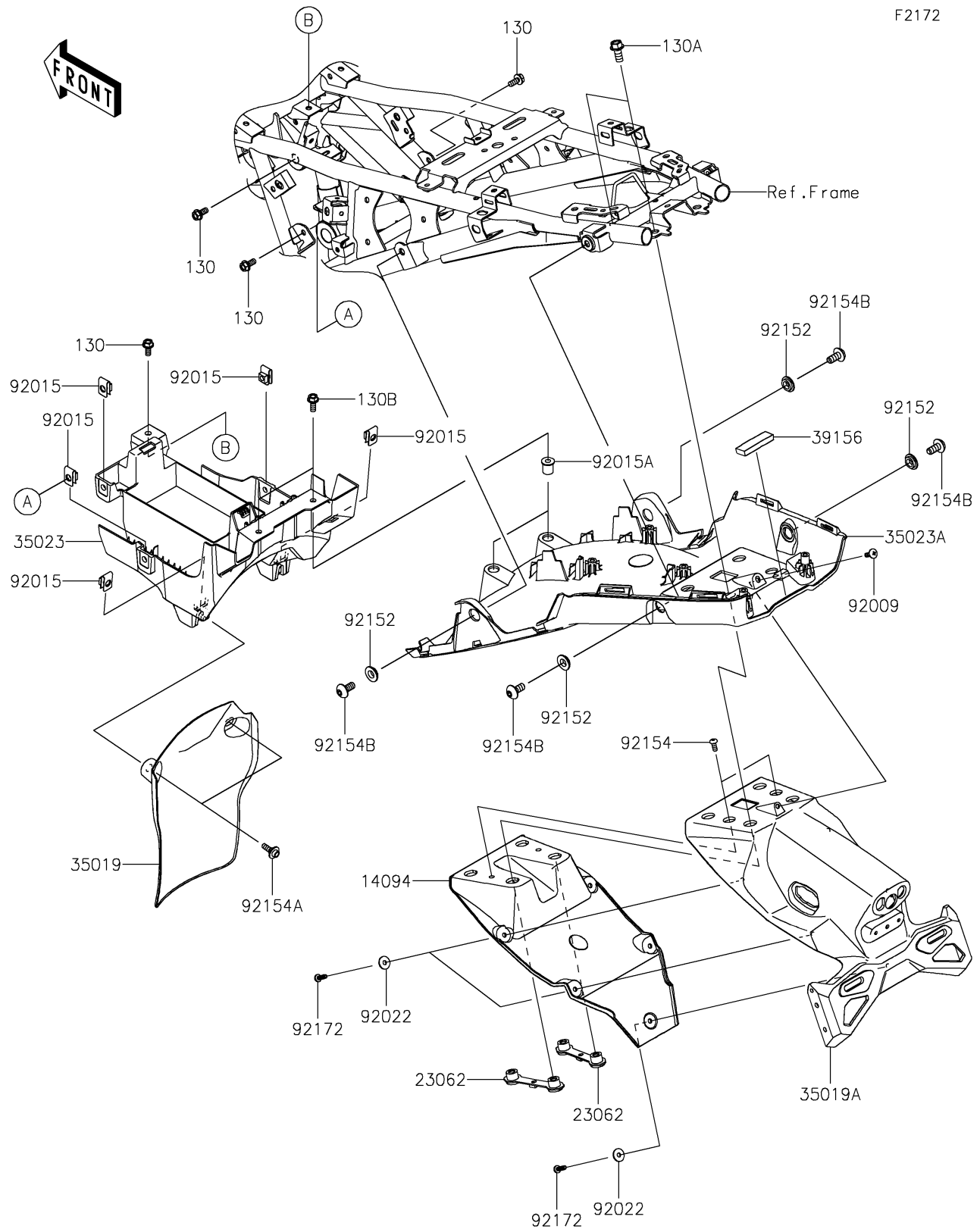


2026 KLE[®] 500 ABS

PARTS DIAGRAM

Rear Fender(s)



2026 KLE® 500 ABS

PARTS LIST

Rear Fender(s)

ITEM NAME	PART NUMBER	QUANTITY
COVER,RR FLAP (Ref # 14094)	14094-0301	1
BRACKET-COMP,RR FLAP (Ref # 23062)	23062-1584	2
FLAP,FR (Ref # 35019)	35019-0710	1
FLAP,RR (Ref # 35019A)	35019-0725	1
FENDER-REAR,FR (Ref # 35023)	35023-0531	1
FENDER-REAR,RR (Ref # 35023A)	35023-0532	1
PAD,50X15X7 (Ref # 39156)	39156-3871	1
SCREW,TAPPING,5X14 (Ref # 92009)	92009-1197	1
NUT,6MM (Ref # 92015)	92015-1602	5
NUT (Ref # 92015A)	92015-1700	2
WASHER,5.2X16X1.2 (Ref # 92022)	92022-263	5
COLLAR,10X20X4.5 (Ref # 92152)	92152-2392	4
BOLT,SOCKET,5X12 (Ref # 92154)	92154-1471	2
BOLT,FLANGED,6X28 (Ref # 92154A)	92154-1739	2
BOLT,SOCKET,8X18 (Ref # 92154B)	92154-7058	4
SCREW,TAPPING,5X16 (Ref # 92172)	92172-0790	5
BOLT-FLANGED,6X14 (Ref # 130)	130BA0614	4
BOLT-FLANGED,8X18 (Ref # 130A)	130BA0818	4
BOLT-FLANGED,6X16 (Ref # 130B)	130BB0616	2