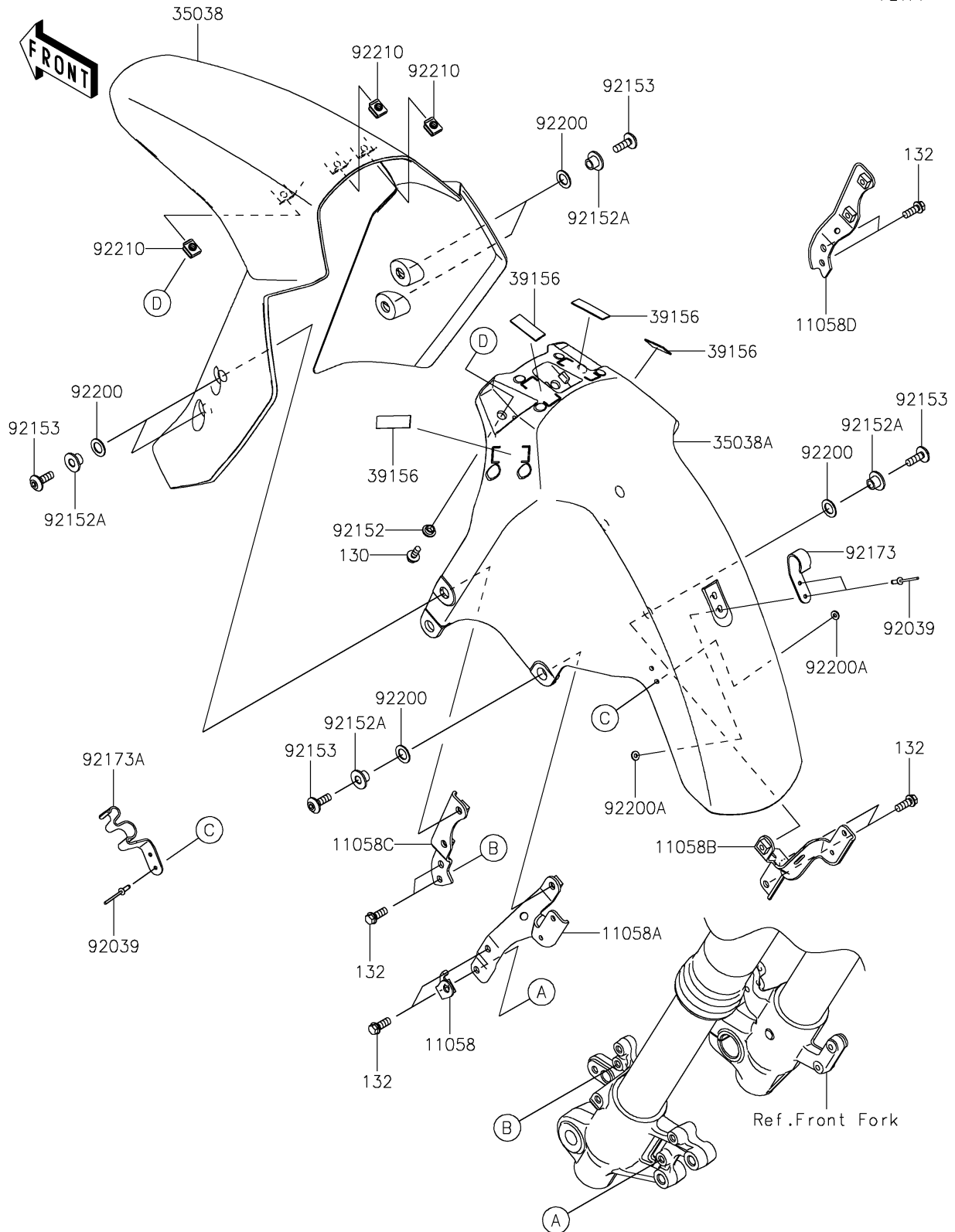


2026 KLE500 ABS

PARTS DIAGRAM

Front Fender(s)

F2171



2026 KLE500 ABS

PARTS LIST

Front Fender(s)

ITEM NAME	PART NUMBER	QUANTITY
BRACKET,ABS SENSOR (Ref # 11058)	11058-2854	1
BRACKET,FR FENDER,RR,LH (Ref # 11058A)	11058-7866	1
BRACKET,FR FENDER,RR,RH (Ref # 11058B)	11058-7867	1
BRACKET,FR FENDER,FR,LH (Ref # 11058C)	11058-7924	1
BRACKET,FR FENDER,FR,RH (Ref # 11058D)	11058-7925	1
FENDER-FRONT,FR,M.C.GRAY (Ref # 35038)	35038-0067-51A	1
FENDER-FRONT,RR (Ref # 35038A)	35038-0068	1
PAD,36X11X1 (Ref # 39156)	39156-2998	4
RIVET,3.2X9.5 (Ref # 92039)	92039-0752	4
COLLAR,6X8X4.5 (Ref # 92152)	92152-2395	3
COLLAR,6.8X10X9.1 (Ref # 92152A)	92152-4085	6
BOLT,SOCKET,6X18 (Ref # 92153)	92153-1675	6
CLAMP (Ref # 92173)	92173-2521	1
CLAMP (Ref # 92173A)	92173-3744	1
WASHER,10.3X17X1 (Ref # 92200)	92200-0380	6
WASHER,3.5X8X1 (Ref # 92200A)	92200-1251	4
NUT (Ref # 92210)	92210-0571	3
BOLT-FLANGED,5X12 (Ref # 130)	130BA0512	3
BOLT-FLANGED-SMALL,6X16 (Ref # 132)	132BA0616	8