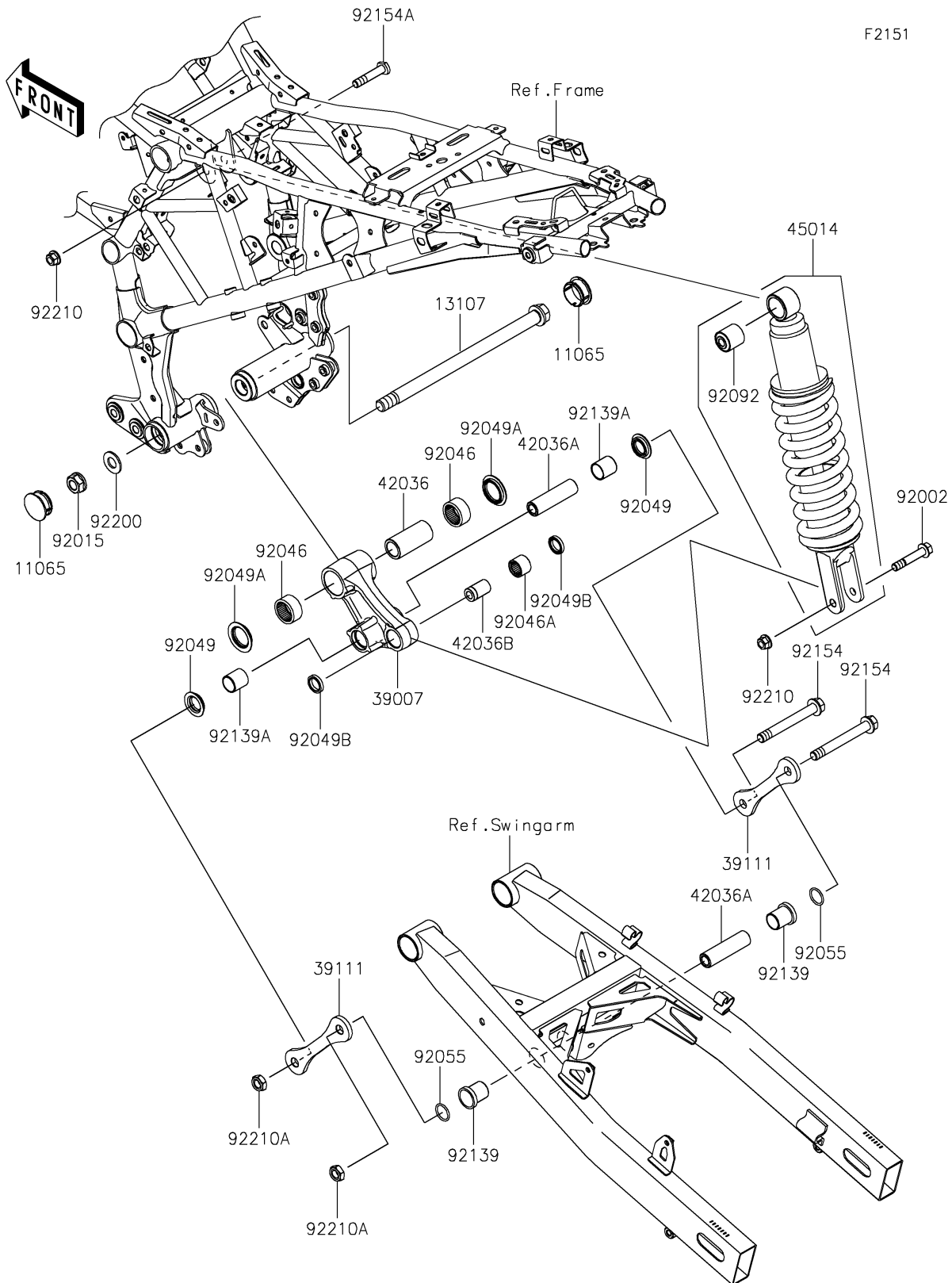


2026 KLE[®] 500 ABS

PARTS DIAGRAM

Suspension/Shock Absorber



2026 KLE® 500 ABS

PARTS LIST

Suspension/Shock Absorber

ITEM NAME	PART NUMBER	QUANTITY
CAP,32X14 (Ref # 11065)	11065-0822	2
SHAFT,SUSPENSION ARM (Ref # 13107)	13107-0928	1
ARM-SUSP,UNI TRAK (Ref # 39007)	39007-0526	1
ROD-TIE,SUSPENSION (Ref # 39111)	39111-0421	2
SLEEVE,20X28X60 (Ref # 42036)	42036-0071	1
SLEEVE,12.1X20X74 (Ref # 42036A)	42036-1102	2
SLEEVE,10.1X18X30 (Ref # 42036B)	42036-1258	1
SHOCKABSORBER,BLACK+BLK (Ref # 45014)	45014-0890-37S	1
BOLT,FLANGED,10X53 (Ref # 92002)	92002-1936	1
NUT,14MM (Ref # 92015)	92015-1459	1
BEARING-NEEDLE,BM2817 (Ref # 92046)	92046-1111	2
BEARING-NEEDLE,SFYZM182417 (Ref # 92046A)	92046-1272	1
SEAL-OIL,ARM (Ref # 92049)	92049-1109	2
SEAL-OIL,28X34X5.7 (Ref # 92049A)	92049-1181	2
SEAL-OIL,MHA18244 (Ref # 92049B)	92049-1225	2
RING-O,19.8X2.2 (Ref # 92055)	92055-0732	2
BUSHING-RUBBER (Ref # 92092)	92092-1058	1
BUSHING,20X23X29 (Ref # 92139)	92139-0890	2
BUSHING,20X23X24 (Ref # 92139A)	92139-0940	2
BOLT,FLANGED,12X98 (Ref # 92154)	92154-0941	2
BOLT,10X50 (Ref # 92154A)	92154-2165	1
WASHER,15X30X2.3 (Ref # 92200)	92200-2820	1
NUT,LOCK,FLANGED,10MM (Ref # 92210)	92210-1139	2
NUT,LOCK,12MM (Ref # 92210A)	92210-1247	2