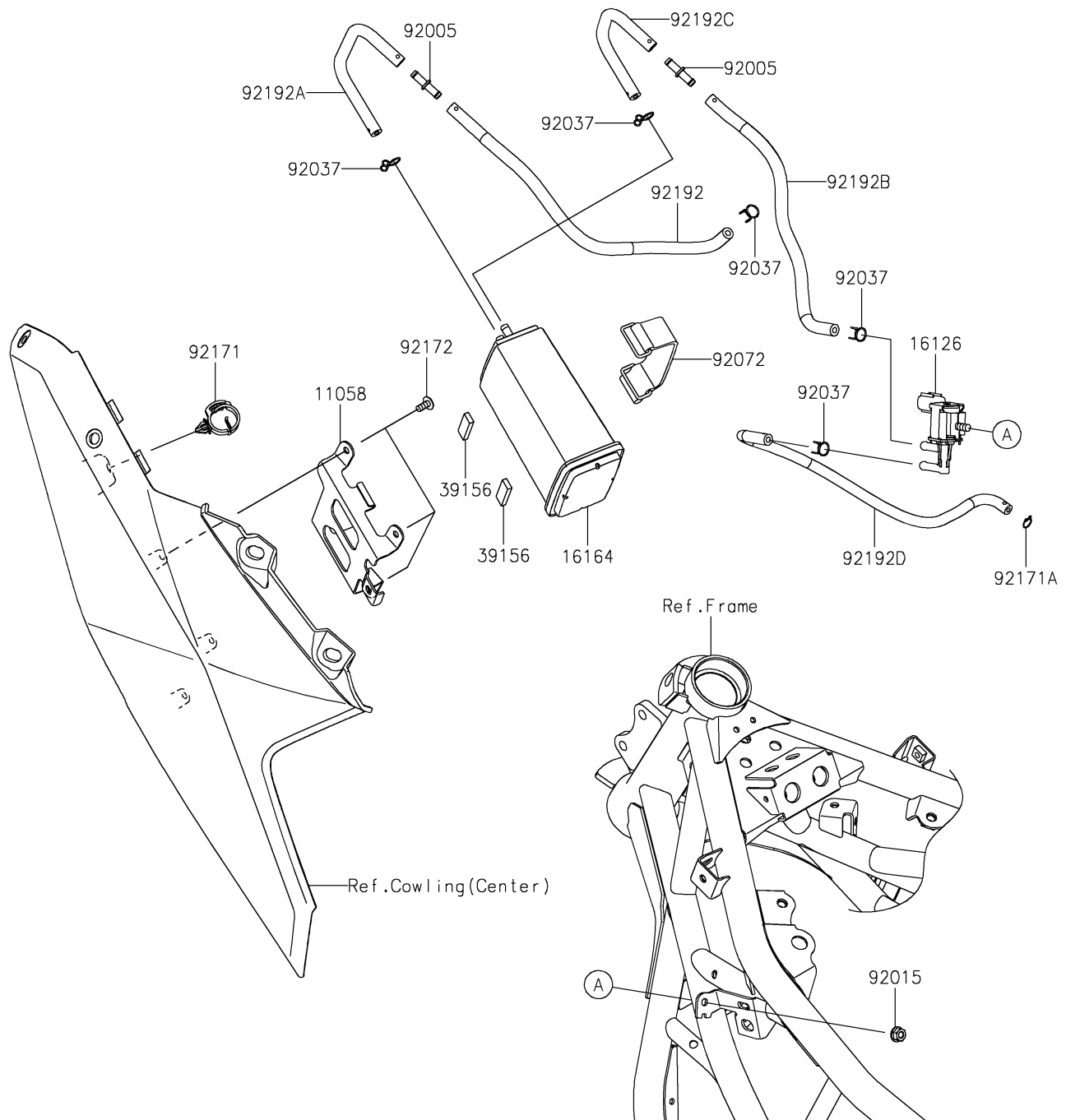


2026 KLE[®] 500 ABS

PARTS DIAGRAM

Fuel Evaporative System(CA)

E1650



2026 KLE[®] 500 ABS

PARTS LIST

Fuel Evaporative System(CA)

ITEM NAME	PART NUMBER	QUANTITY
BRACKET (Ref # 11058)	11058-2743	1
VALVE,SOLENOID (Ref # 16126)	16126-0705	1
CANISTER (Ref # 16164)	16164-0012	1
PAD,10X30X4 (Ref # 39156)	39156-0927	2
FITTING (Ref # 92005)	92005-0721	2
NUT,FLANGED,6MM,BLACK (Ref # 92015)	92015-1233	1
CLAMP,TUBE (Ref # 92037)	92037-147	5
BAND,CANISTER (Ref # 92072)	92072-0922	1
CLAMP,20MM DIA. (Ref # 92171)	92171-0069	1
CLAMP (Ref # 92171A)	92171-0573	1
SCREW,5X12 (Ref # 92172)	92172-0821	3
TUBE,TANK-FITTING(CANISTER) (Ref # 92192)	92192-2841	1
TUBE,FITTING(TANK)-CANISTER (Ref # 92192A)	92192-2842	1
TUBE,VALVE-FITTING(CANISTER) (Ref # 92192B)	92192-2843	1
TUBE,FITTING(VALVE)-CANISTER (Ref # 92192C)	92192-2844	1
TUBE,VALVE-THROTTLE (Ref # 92192D)	92192-2847	1