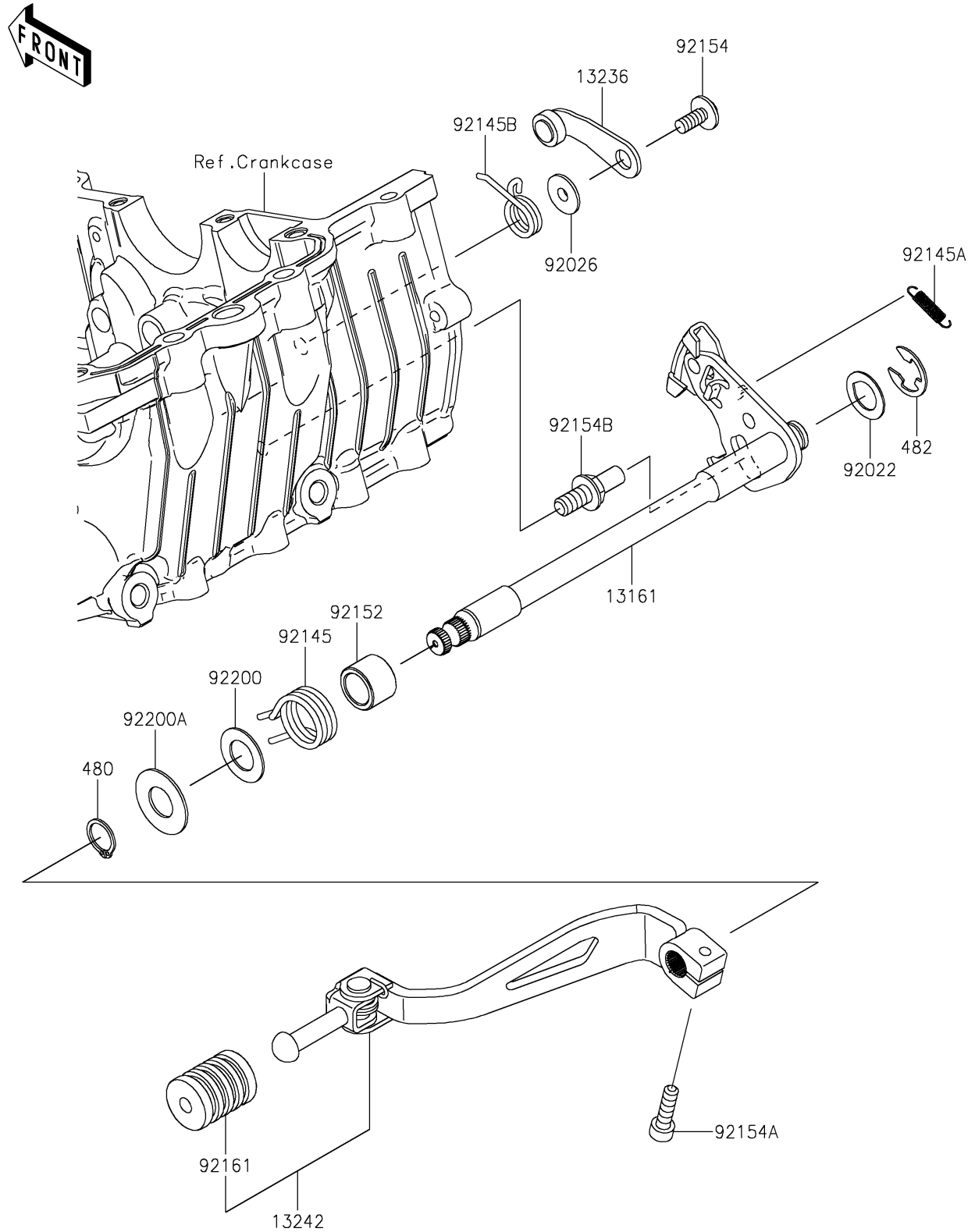


2026 KLE500 ABS

PARTS DIAGRAM

Gear Change Mechanism

E1370



2026 KLE500 ABS

PARTS LIST

Gear Change Mechanism

| ITEM NAME | PART NUMBER | QUANTITY |
|---------------------------------------|-------------|----------|
| LEVER-COMP-CHANGE SHAFT (Ref # 13161) | 13161-0610 | 1 |
| LEVER-COMP,POSITION (Ref # 13236) | 13236-0794 | 1 |
| LEVER-ASSY-CHANGE,PEDAL (Ref # 13242) | 13242-0259 | 1 |
| WASHER,CHANGE SHAFT (Ref # 92022) | 92022-1628 | 1 |
| SPACER (Ref # 92026) | 92026-1217 | 1 |
| SPRING,RETURN (Ref # 92145) | 92145-1783 | 1 |
| SPRING,PAWL RETURN (Ref # 92145A) | 92145-1813 | 1 |
| SPRING,DRUM POSITION (Ref # 92145B) | 92145-1814 | 1 |
| COLLAR,14.2X19.9X14.3 (Ref # 92152) | 92152-2370 | 1 |
| BOLT,SOCKET,6X14 (Ref # 92154) | 92154-2731 | 1 |
| BOLT,SOCKET,6X22 (Ref # 92154A) | 92154-4387 | 1 |
| BOLT,RETURN SPRING (Ref # 92154B) | 92154-4400 | 1 |
| DAMPER,CHANGE PEDAL (Ref # 92161) | 92161-1652 | 1 |
| WASHER,14.2X25X1 (Ref # 92200) | 92200-1933 | 1 |
| WASHER,14.3X30X1.2 (Ref # 92200A) | 92200-2295 | 1 |
| CIRCLIP-TYPE-C,14MM (Ref # 480) | 480J1400 | 1 |
| CIRCLIP-TYPE-E,12MM (Ref # 482) | 482J0200 | 1 |