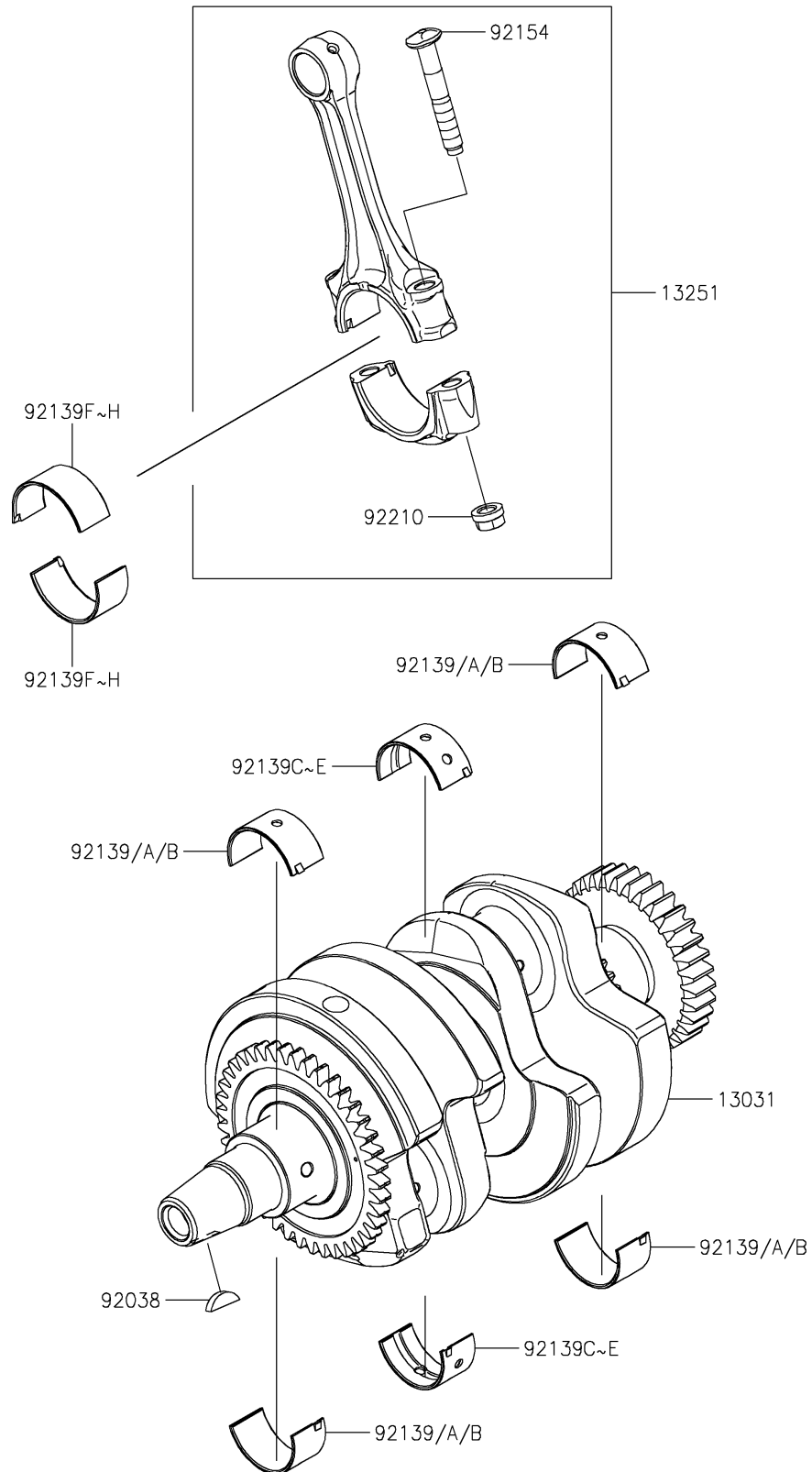


# 2026 KLE<sup>®</sup> 500 ABS

## PARTS DIAGRAM

### Crankshaft

E1321



# 2026 KLE<sup>®</sup> 500 ABS

## PARTS LIST

### Crankshaft

**ITEM NAME**

**PART NUMBER**

**QUANTITY**

---