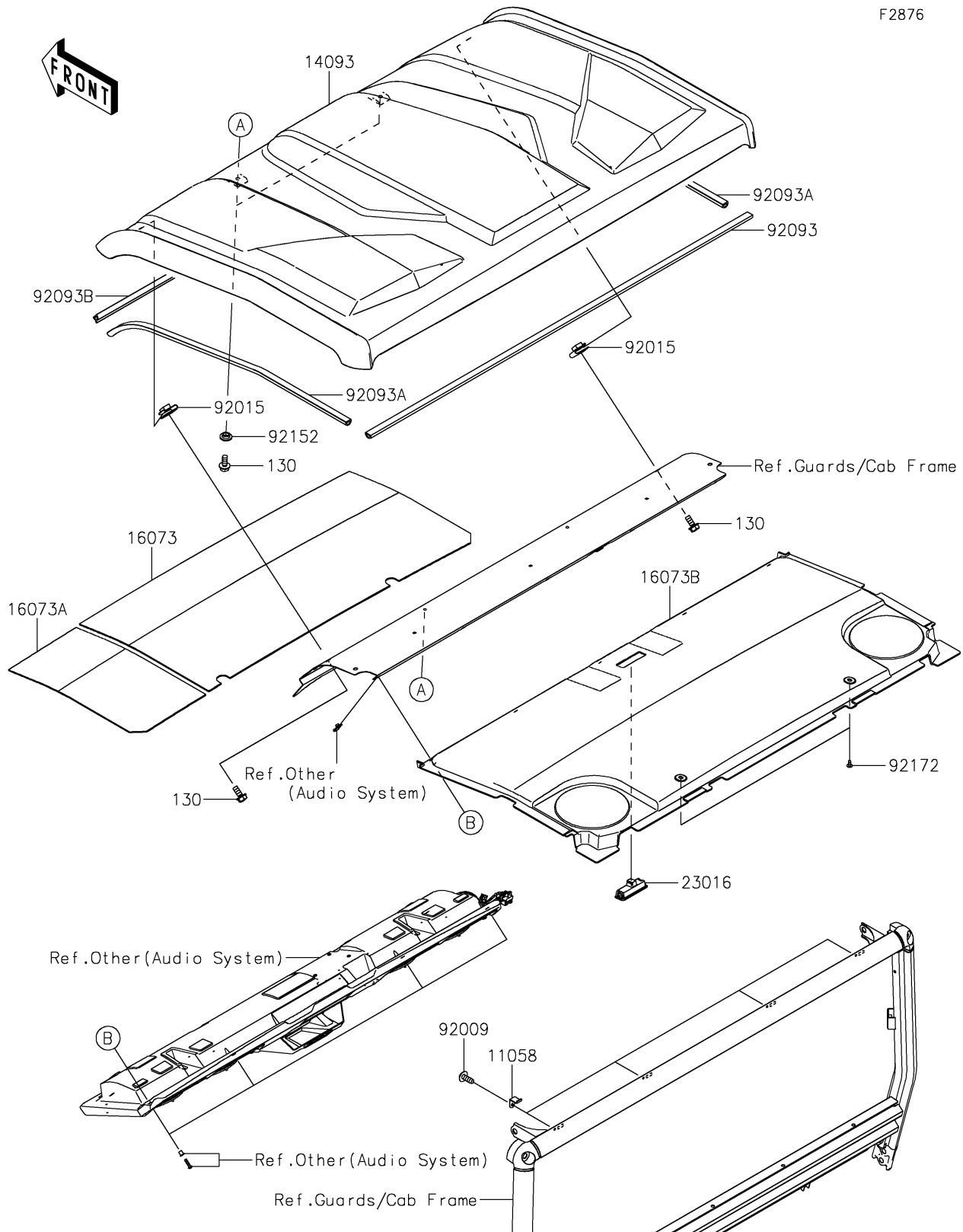


# 2026 RIDGE Platinum Ranch Edition HVAC

## PARTS DIAGRAM

### Sun Top

F2876



# 2026 RIDGE Platinum Ranch Edition HVAC



## PARTS LIST

### Sun Top

ITEM NAME	PART NUMBER	QUANTITY
BRACKET,ROOF (Ref # 11058)	11058-0254	4
COVER,ROOF (Ref # 14093)	14093-1352	1
INSULATOR,HEAT,RH (Ref # 16073)	16073-0981	1
INSULATOR,HEAT,LH (Ref # 16073A)	16073-0982	1
INSULATOR,ROOF LINING (Ref # 16073B)	16073-0989	1
LAMP-ASSY,ROOM (Ref # 23016)	23016-0673	1
SCREW,TAPPING,6X16 (Ref # 92009)	92009-1166	4
NUT,6MM (Ref # 92015)	92015-1602	2
SEAL,ROOF,RR (Ref # 92093)	92093-0778	1
SEAL,ROOF,SIDE (Ref # 92093A)	92093-0779	2
SEAL,ROOF,FR (Ref # 92093B)	92093-0812	1
COLLAR,6.3X9.5X4.1 (Ref # 92152)	92152-1571	2
SCREW,6X16 (Ref # 92172)	92172-0284	2
BOLT-FLANGED,6X14 (Ref # 130)	130BA0614	4