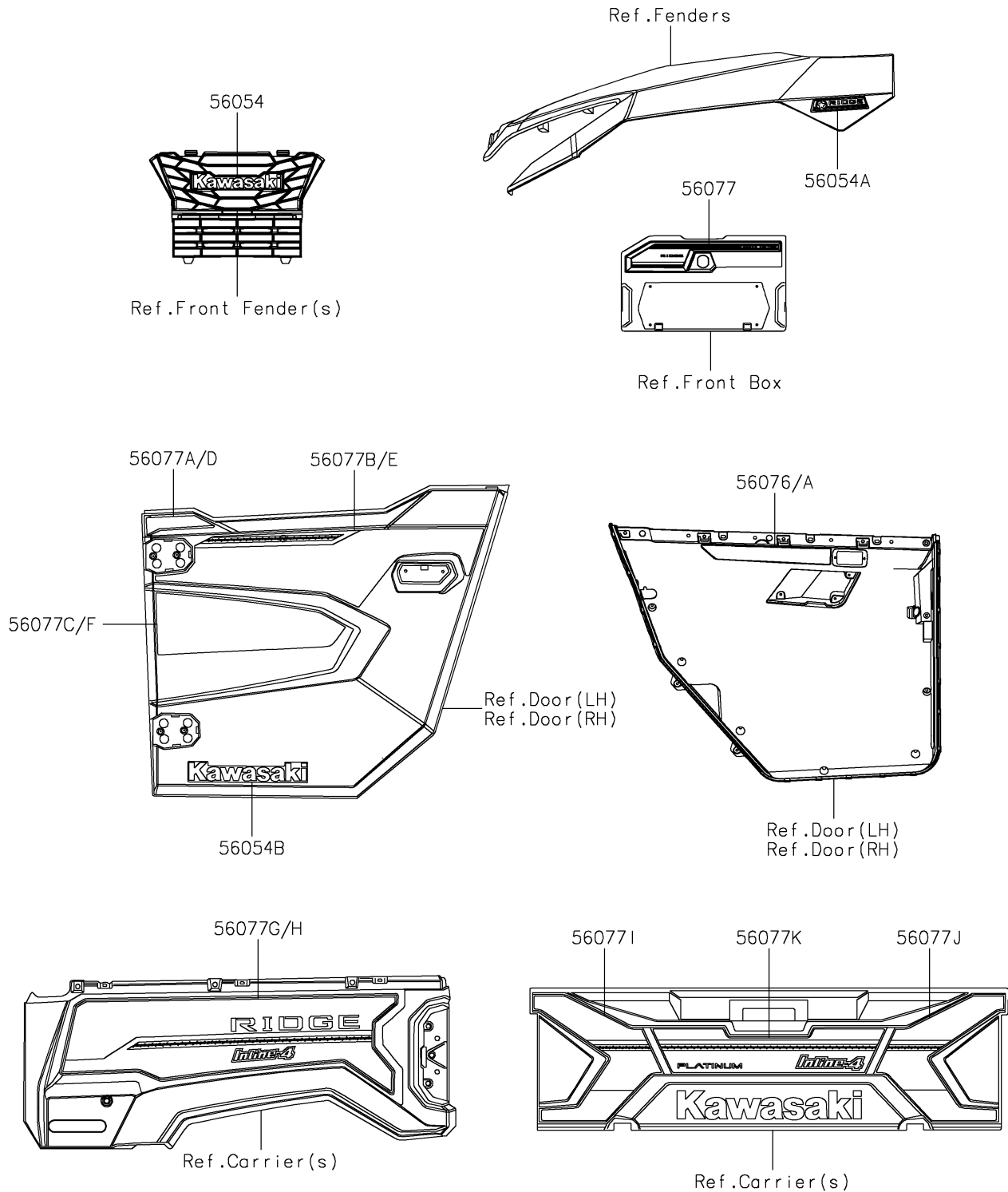


# 2026 RIDGE Platinum Ranch Edition HVAC

## PARTS DIAGRAM

### Decals

F2861



# 2026 RIDGE Platinum Ranch Edition HVAC



## PARTS LIST Decals

ITEM NAME	PART NUMBER	QUANTITY
-----------	-------------	----------

---