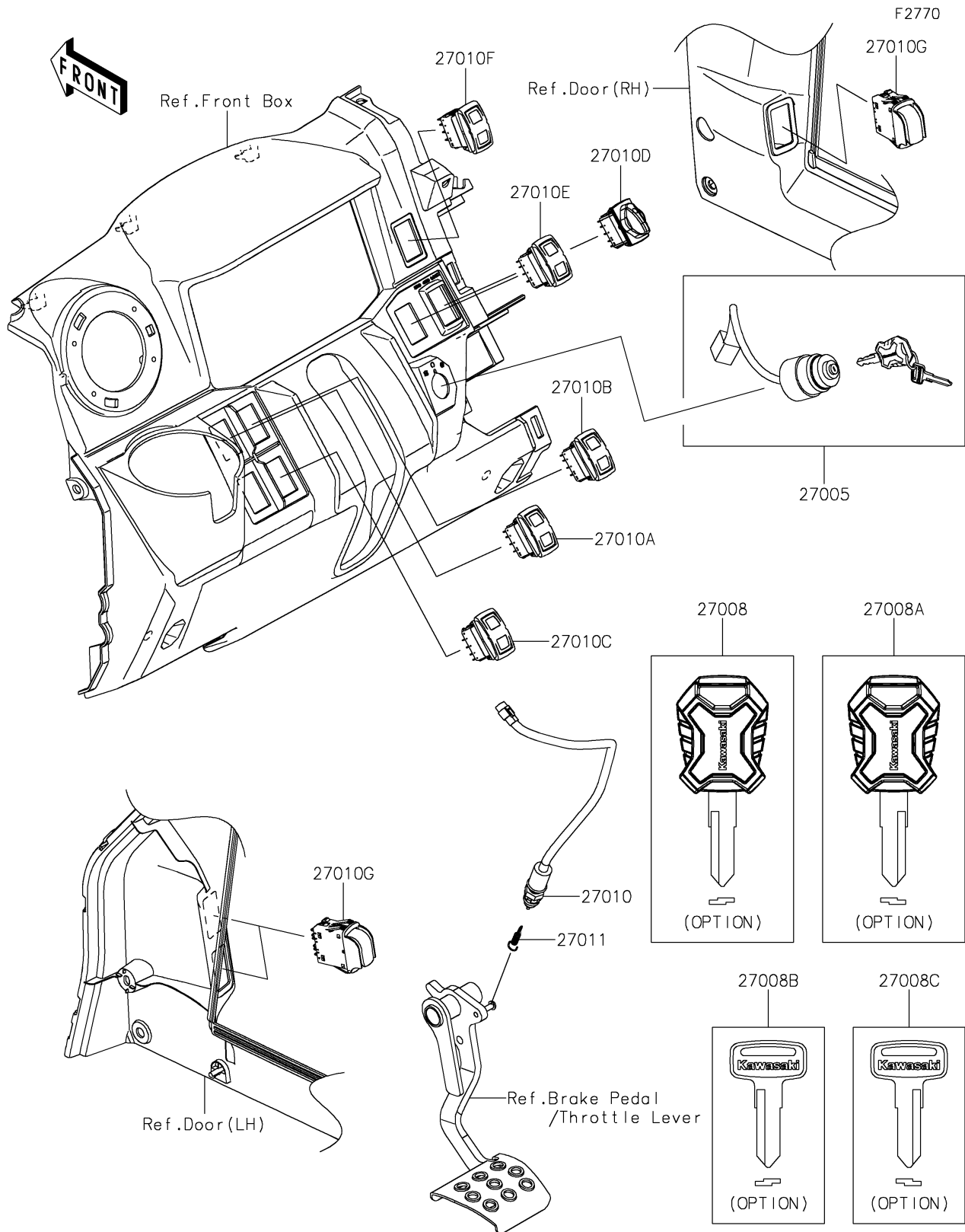


2026 RIDGE Platinum Ranch Edition HVAC

PARTS DIAGRAM

Ignition Switch



2026 RIDGE Platinum Ranch Edition HVAC



PARTS LIST

Ignition Switch

| ITEM NAME | PART NUMBER | QUANTITY |
|-----------|-------------|----------|
|-----------|-------------|----------|
