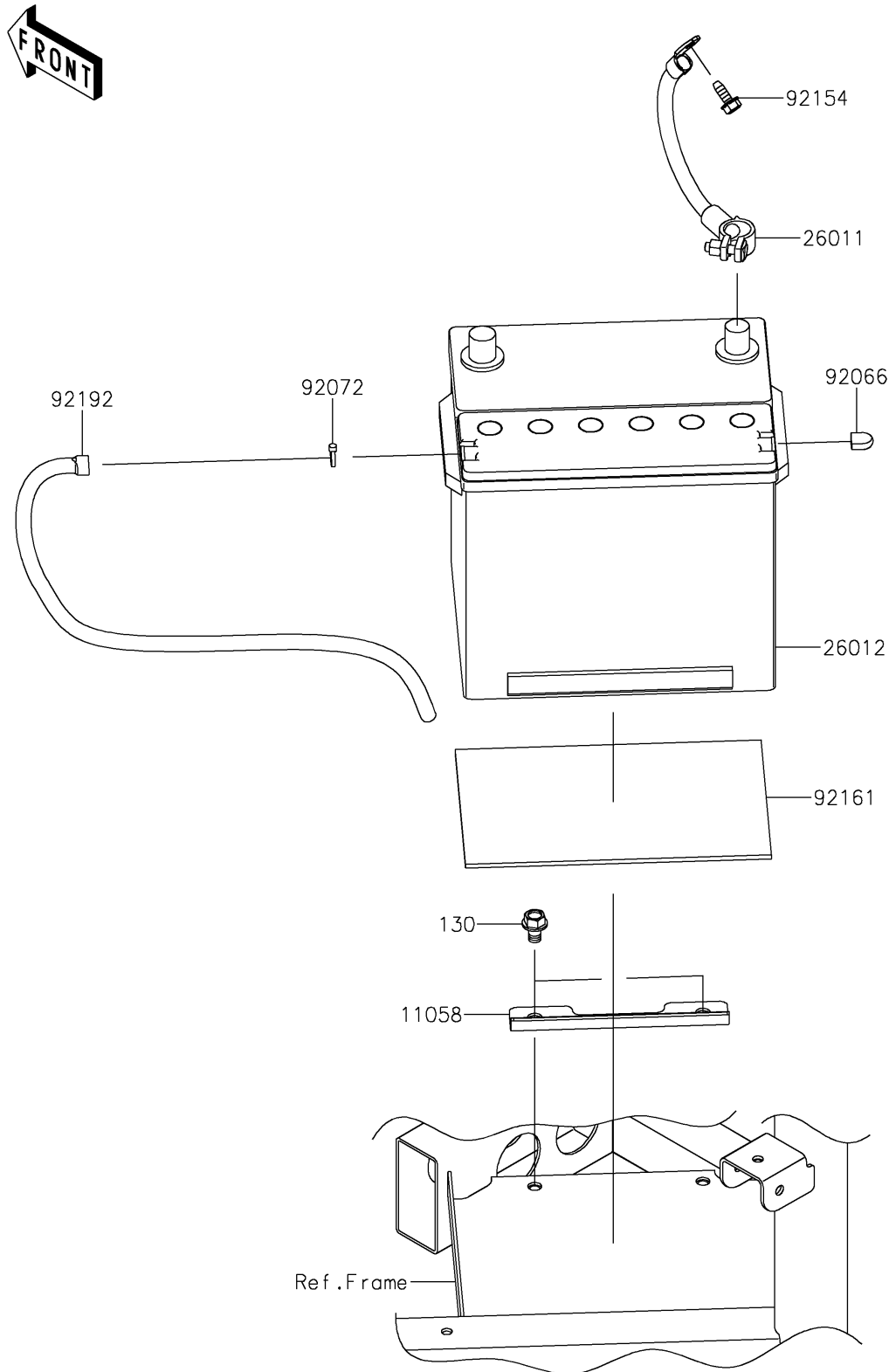


2026 RIDGE Platinum Ranch Edition HVAC

PARTS DIAGRAM

Battery

F2761



2026 RIDGE Platinum Ranch Edition HVAC



PARTS LIST

Battery

ITEM NAME	PART NUMBER	QUANTITY
-----------	-------------	----------