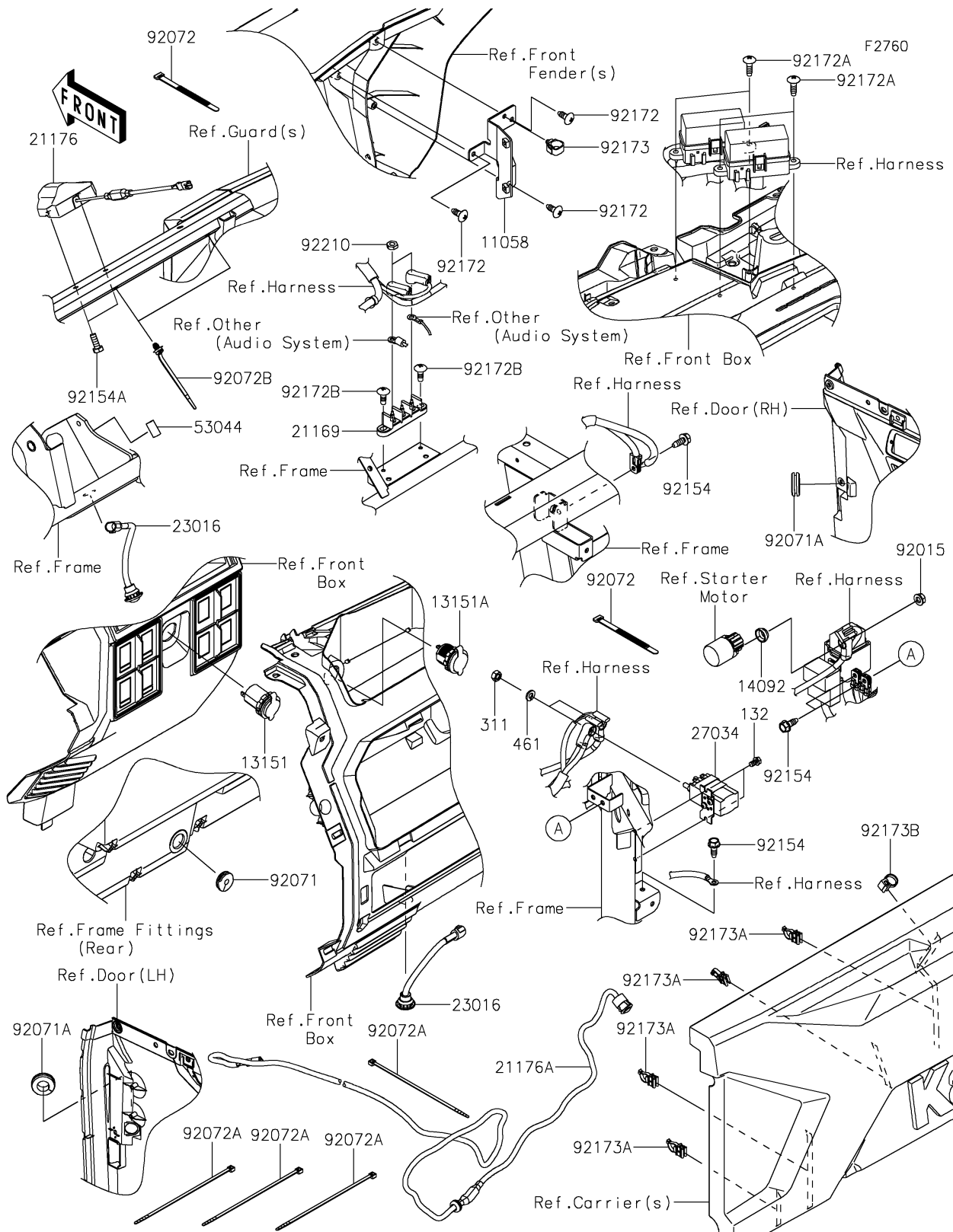


2026 RIDGE Platinum Ranch Edition HVAC

PARTS DIAGRAM

Chassis Electrical Equipment



2026 RIDGE Platinum Ranch Edition HVAC



PARTS LIST

Chassis Electrical Equipment

ITEM NAME	PART NUMBER	QUANTITY
-----------	-------------	----------
