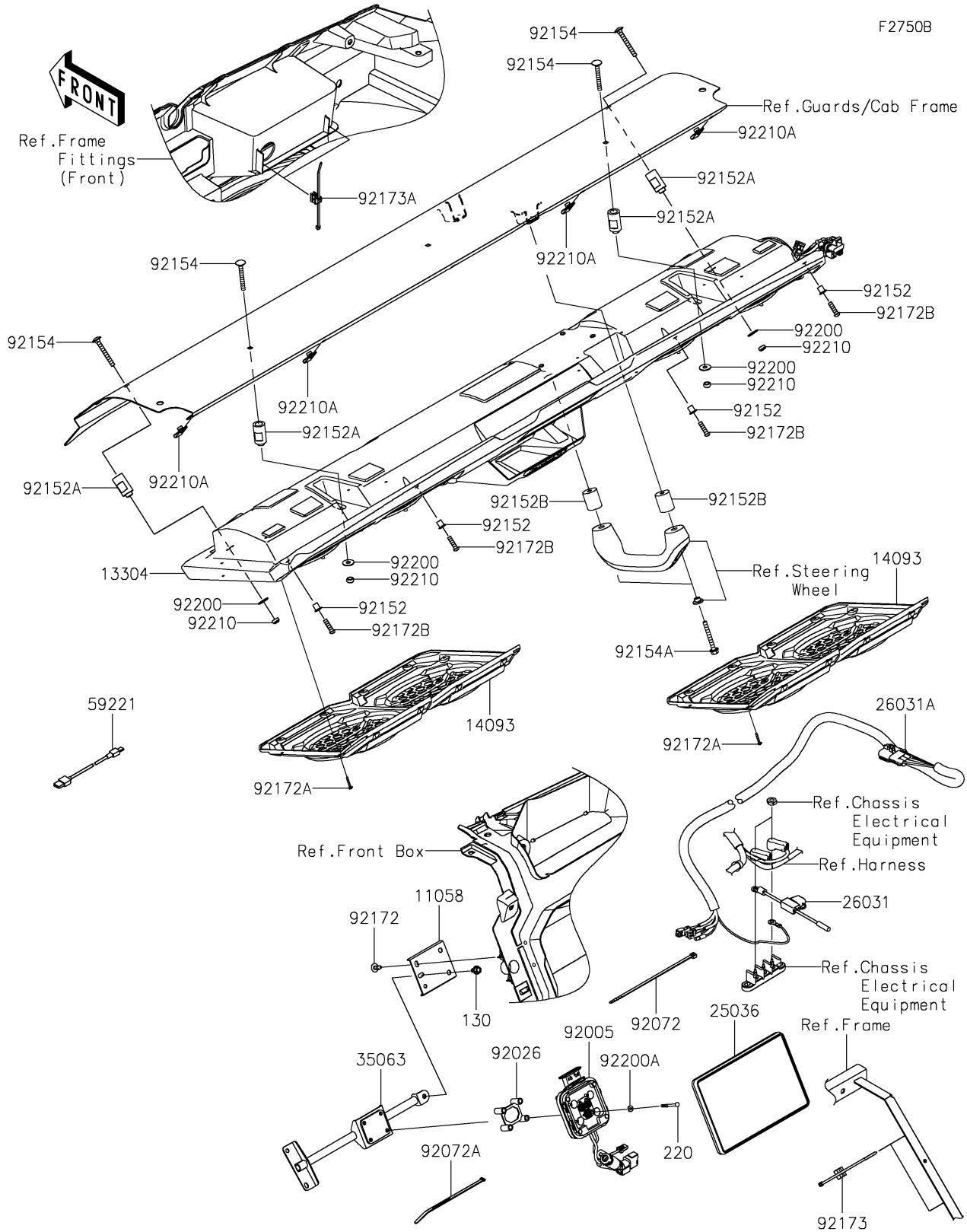


2026 RIDGE Platinum Ranch Edition HVAC

PARTS DIAGRAM

Other(Audio System)(CN)



2026 RIDGE Platinum Ranch Edition HVAC



PARTS LIST

Other(Audio System)(CN)

ITEM NAME

PART NUMBER

QUANTITY
