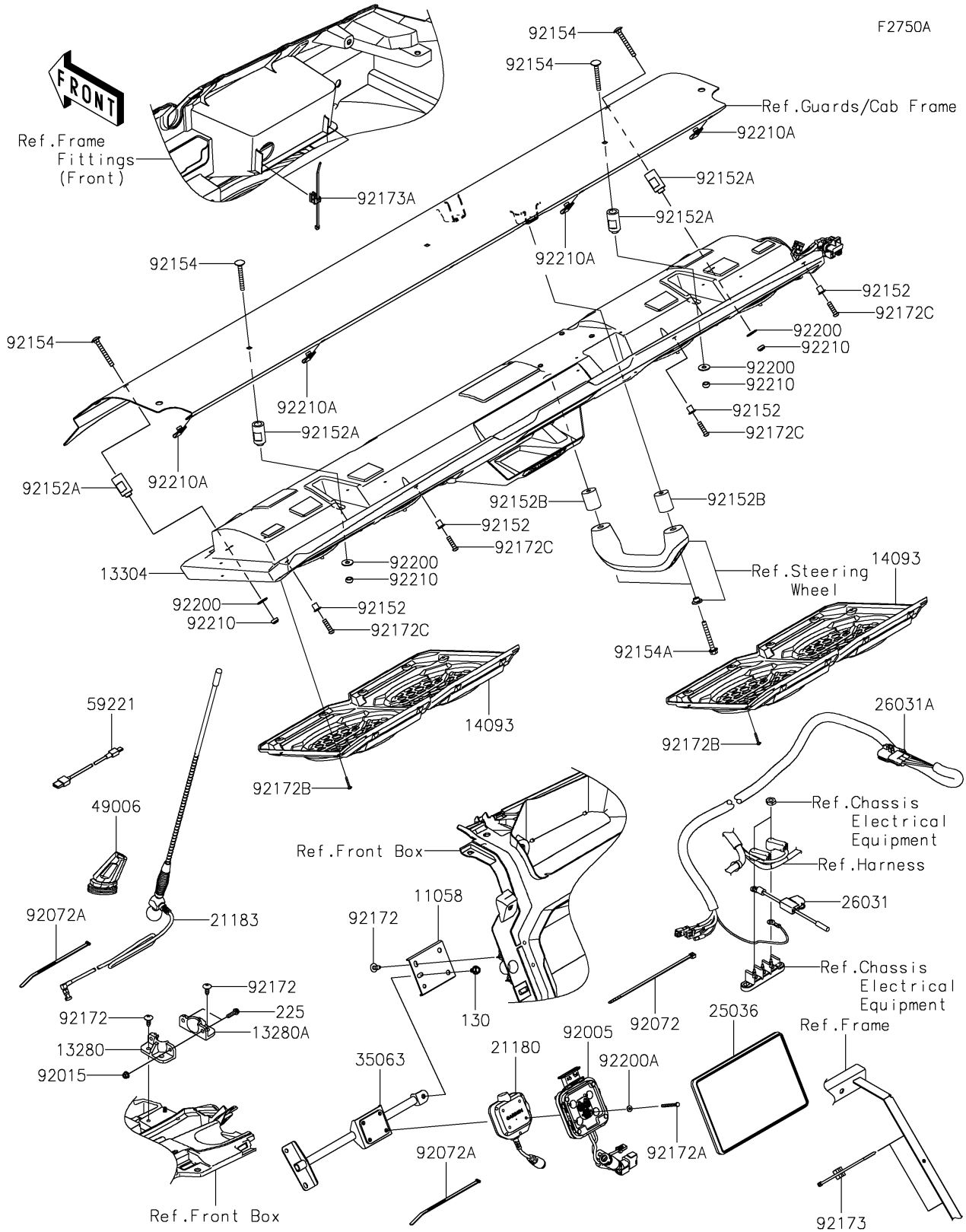


2026 RIDGE Platinum Ranch Edition HVAC

PARTS DIAGRAM

Other(Audio System)(CA,US)



2026 RIDGE Platinum Ranch Edition HVAC

Kawasaki
Let the Good Times Roll®

PARTS LIST

Other(Audio System)(CA,US)

ITEM NAME	PART NUMBER	QUANTITY
BRACKET,INSTRUMENT PANEL (Ref # 11058)	11058-0876	1
HOLDER,ANTENNA,LH (Ref # 13280)	13280-1359	1
HOLDER,ANTENNA,RH (Ref # 13280A)	13280-1360	1
HOUSING-ASSY (Ref # 13304)	13304-0013	1
COVER,SPEAKER GRILLE (Ref # 14093)	14093-1502	2
TRANSCEIVER,DISPLAY (Ref # 21180)	21180-0006	1
ANTENNA,DISPLAY (Ref # 21183)	21183-0020	1
METER-ASSY-MULTI-FUNCTION (Ref # 25036)	25036-0216	1
HARNESS,AUDIO POWER (Ref # 26031)	26031-4077	1
HARNESS,AUDIO A-PILLAR (Ref # 26031A)	26031-4252	1
STAY,DISPLAY (Ref # 35063)	35063-1595	1
BOOT,ANTENNA (Ref # 49006)	49006-0651	1
CONNECTOR-CORD,USB (Ref # 59221)	59221-0031	1
FITTING,DISPLAY (Ref # 92005)	92005-1460	1
NUT,LOCK,FLANGED,5MM (Ref # 92015)	92015-1752	2
BAND (Ref # 92072)	92072-0821	1
BAND,L=292.1 (Ref # 92072A)	92072-3509	2
COLLAR (Ref # 92152)	92152-2995	4
COLLAR (Ref # 92152A)	92152-2996	4
COLLAR (Ref # 92152B)	92152-2998	2
BOLT (Ref # 92154)	92154-7149	4
BOLT (Ref # 92154A)	92154-7150	2
SCREW,6X16 (Ref # 92172)	92172-0284	6
SCREW,4X40 (Ref # 92172A)	92172-1092	4
SCREW,SPEAKER (Ref # 92172B)	92172-1353	24
SCREW (Ref # 92172C)	92172-1481	4
CLAMP (Ref # 92173)	92173-2665	2
CLAMP (Ref # 92173A)	92173-2793	2
WASHER (Ref # 92200)	92200-2596	4

2026 RIDGE Platinum Ranch Edition HVAC



PARTS LIST

Other(Audio System)(CA,US)

ITEM NAME	PART NUMBER	QUANTITY
WASHER,4X9.5X1.2 (Ref # 92200A)	92200-2711	4
NUT (Ref # 92210)	92210-1953	4
NUT (Ref # 92210A)	92210-1954	4
BOLT-FLANGED,6X10 (Ref # 130)	130BA0610	1
SCREW-PAN-WSP-CROS,5X20 (Ref # 225)	225AA0520	2