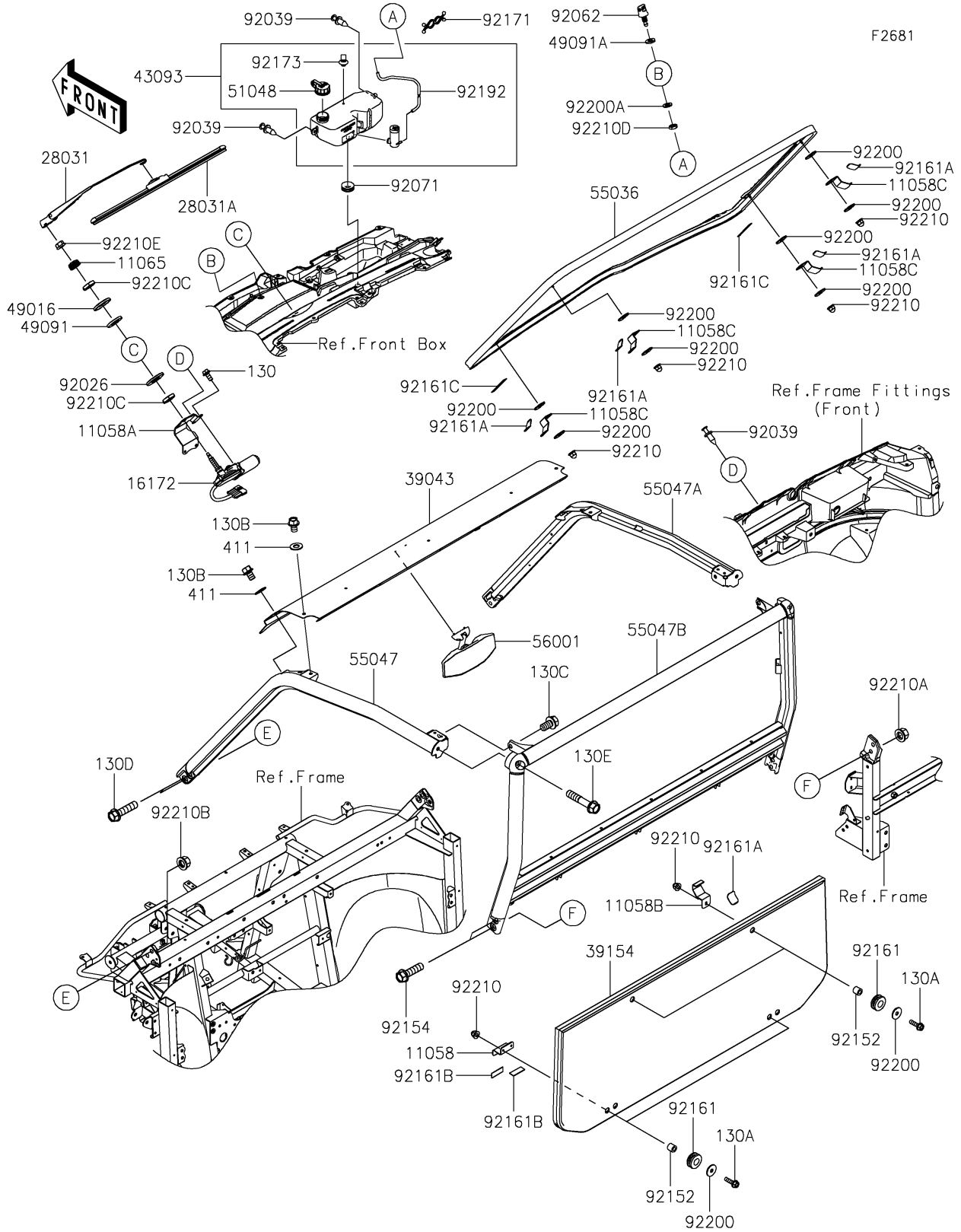


# 2026 RIDGE® PLATINUM RANCH EDITION HVAC

## PARTS DIAGRAM Guards/Cab Frame



# 2026 RIDGE® PLATINUM RANCH EDITION HVAC

## PARTS LIST

### Guards/Cab Frame

ITEM NAME	PART NUMBER	QUANTITY
BRACKET,WINDSHIELD MOUNT,LWR (Ref # 11058)	11058-0288	2
BRACKET,WIPER ACTUATOR (Ref # 11058A)	11058-2306	1
BRACKET,WINDSHIELD MOUNT (Ref # 11058B)	11058-2330	2
BRACKET,WINDSHIELD MOUNT (Ref # 11058C)	11058-2798	4
CAP,ACTUATOR (Ref # 11065)	11065-1495	1
ACTUATOR,WIPER (Ref # 16172)	16172-0575	1
WIPER,ARM (Ref # 28031)	28031-0006	1
WIPER,BLADE (Ref # 28031A)	28031-0007	1
CROSSMEMBER-COMP,UPP,FR,T.BLK (Ref # 39043)	39043-0037-388	1
WINDSHIELD,RR (Ref # 39154)	39154-0419	1
RESERVOIR-ASSY-TANK,WASHER (Ref # 43093)	43093-0013	1
COVER-SEAL (Ref # 49016)	49016-0722	1
WASHER-SEAL (Ref # 49091)	49091-0014	1
WASHER-SEAL (Ref # 49091A)	49091-0015	1
CAP-ASSY-TANK,RESERVOIR (Ref # 51048)	51048-0614	1
WINDSHIELD-ASSY,FR (Ref # 55036)	55036-0070	1
BAR-COMP,LH,FR,T.BLACK (Ref # 55047)	55047-0412-388	1
BAR-COMP,RH,FR,T.BLACK (Ref # 55047A)	55047-0413-388	1
BAR-COMP,RR,T.BLACK (Ref # 55047B)	55047-0457-388	1
MIRROR-ASSY,REAR VIEW (Ref # 56001)	56001-0447	1
SPACER,16.3X35X3.6 (Ref # 92026)	92026-0973	1
RIVET (Ref # 92039)	92039-0776	3
NOZZLE,SPRAY (Ref # 92062)	92062-0588	1
GROMMET (Ref # 92071)	92071-1115	1
COLLAR,6.5X12X11 (Ref # 92152)	92152-0692	6
BOLT,FLANGED,12X45 (Ref # 92154)	92154-1420	4
DAMPER (Ref # 92161)	92161-2500	6
DAMPER,45X35X1.5 (Ref # 92161A)	92161-2600	6
DAMPER,20X56X1.5 (Ref # 92161B)	92161-2639	4

# 2026 RIDGE® PLATINUM RANCH EDITION HVAC



## PARTS LIST

### Guards/Cab Frame

ITEM NAME	PART NUMBER	QUANTITY
DAMPER,100X15X1 (Ref # 92161C)	92161-2650	2
CLAMP (Ref # 92171)	92171-0476	1
CLAMP,RESERVOIR TANK (Ref # 92173)	92173-2872	1
TUBE,4X8X830 (Ref # 92192)	92192-2824	1
WASHER,6.5X22X1.6 (Ref # 92200)	92200-1087	14
WASHER,8.4X16X1.6 (Ref # 92200A)	92200-2705	1
NUT,CAP,6MM (Ref # 92210)	92210-0003	10
NUT,12MM (Ref # 92210A)	92210-0603	4
NUT,FLANGED,12MM (Ref # 92210B)	92210-1932	4
NUT,HEX,16MM (Ref # 92210C)	92210-2208	2
NUT,HEX,8MM (Ref # 92210D)	92210-2209	1
NUT,FLANGED,8MM (Ref # 92210E)	92210-2215	1
BOLT-FLANGED,6X14 (Ref # 130)	130BA0614	2
BOLT-FLANGED,6X22 (Ref # 130A)	130BB0622	6
BOLT-FLANGED,10X14 (Ref # 130B)	130CA1014	4
BOLT-FLANGED,12X22 (Ref # 130C)	130CA1222	2
BOLT-FLANGED,12X50 (Ref # 130D)	130CB1250	4
BOLT-FLANGED,12X60 (Ref # 130E)	130CB1260	2
WASHER-PLAIN,10MM (Ref # 411)	411AA1000	4