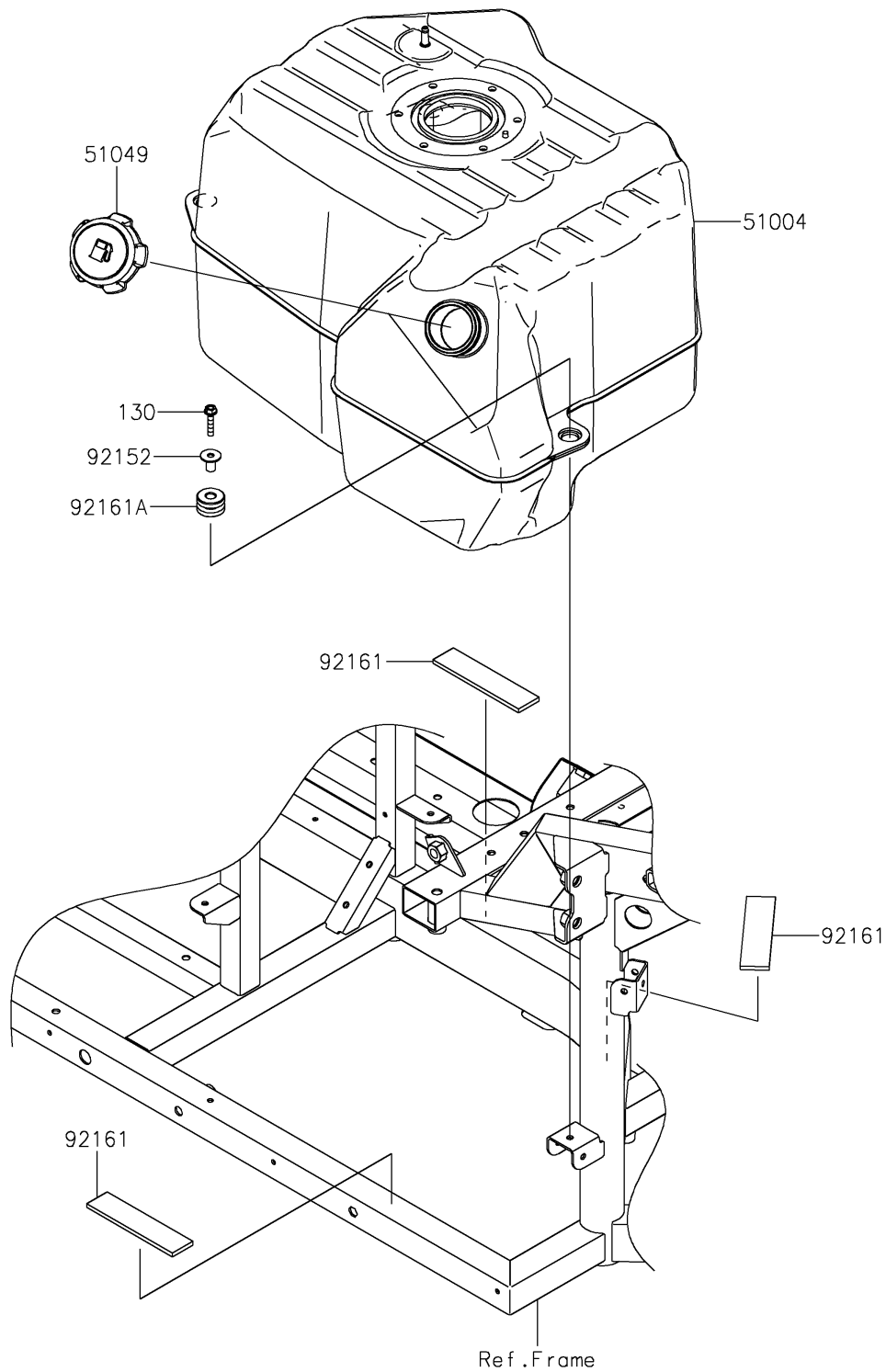


2026 RIDGE Platinum Ranch Edition HVAC

PARTS DIAGRAM

Fuel Tank(CA)

F2410A



2026 RIDGE Platinum Ranch Edition HVAC



PARTS LIST Fuel Tank(CA)

ITEM NAME	PART NUMBER	QUANTITY
-----------	-------------	----------
