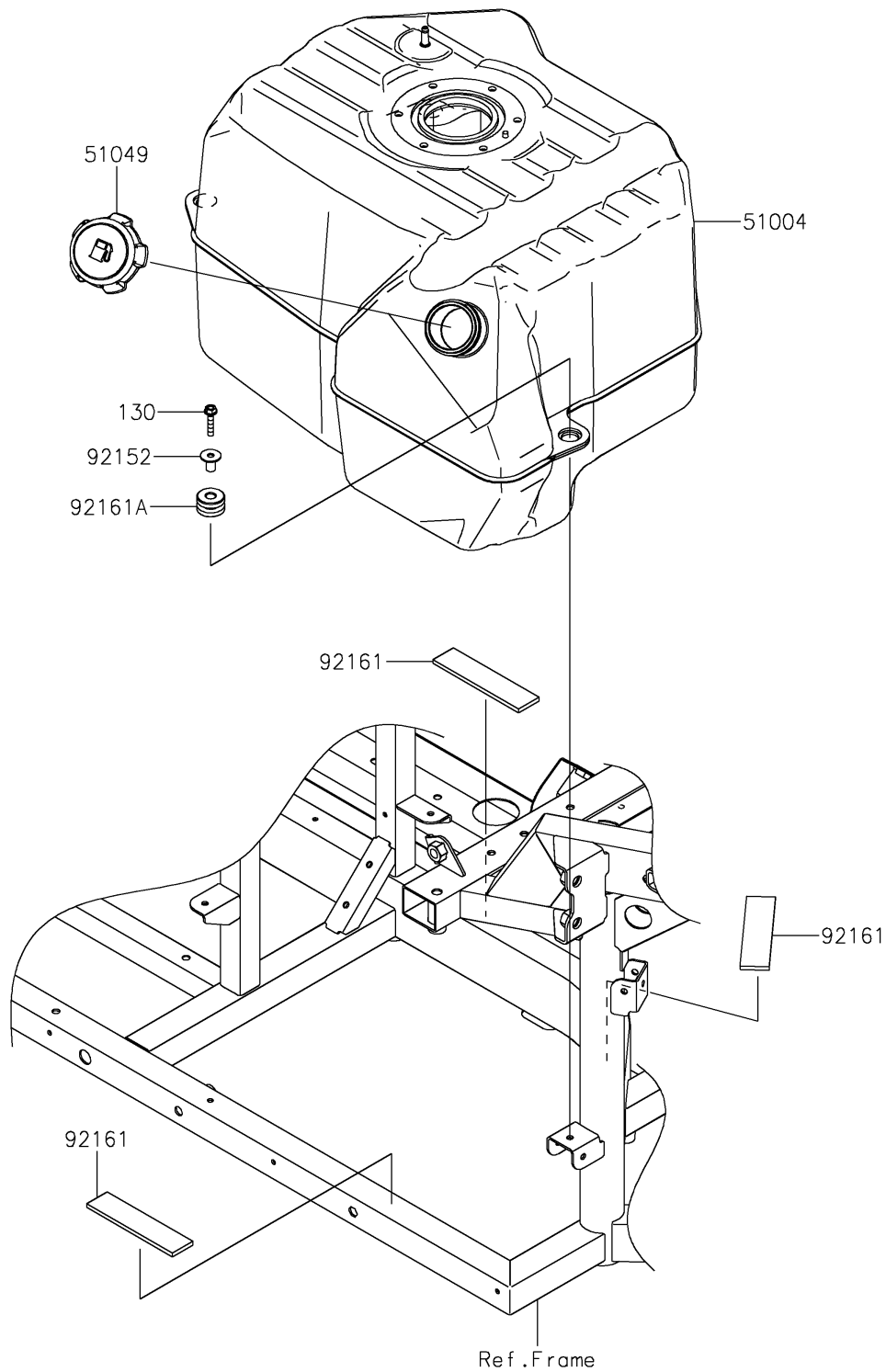


# 2026 RIDGE® PLATINUM RANCH EDITION HVAC

## PARTS DIAGRAM

### Fuel Tank(CA)

F2410A



# 2026 RIDGE® PLATINUM RANCH EDITION HVAC



## PARTS LIST Fuel Tank(CA)

| ITEM NAME                        | PART NUMBER | QUANTITY |
|----------------------------------|-------------|----------|
| TANK-FUEL (Ref # 51004)          | 51004-0727  | 1        |
| CAP-TANK,FUEL (Ref # 51049)      | 51049-0718  | 1        |
| COLLAR,6.8X10X18.1 (Ref # 92152) | 92152-1867  | 3        |
| DAMPER,31.1X130X5 (Ref # 92161)  | 92161-0936  | 3        |
| DAMPER,TANK (Ref # 92161A)       | 92161-2178  | 3        |
| BOLT-FLANGED,6X30 (Ref # 130)    | 130BA0630   | 3        |