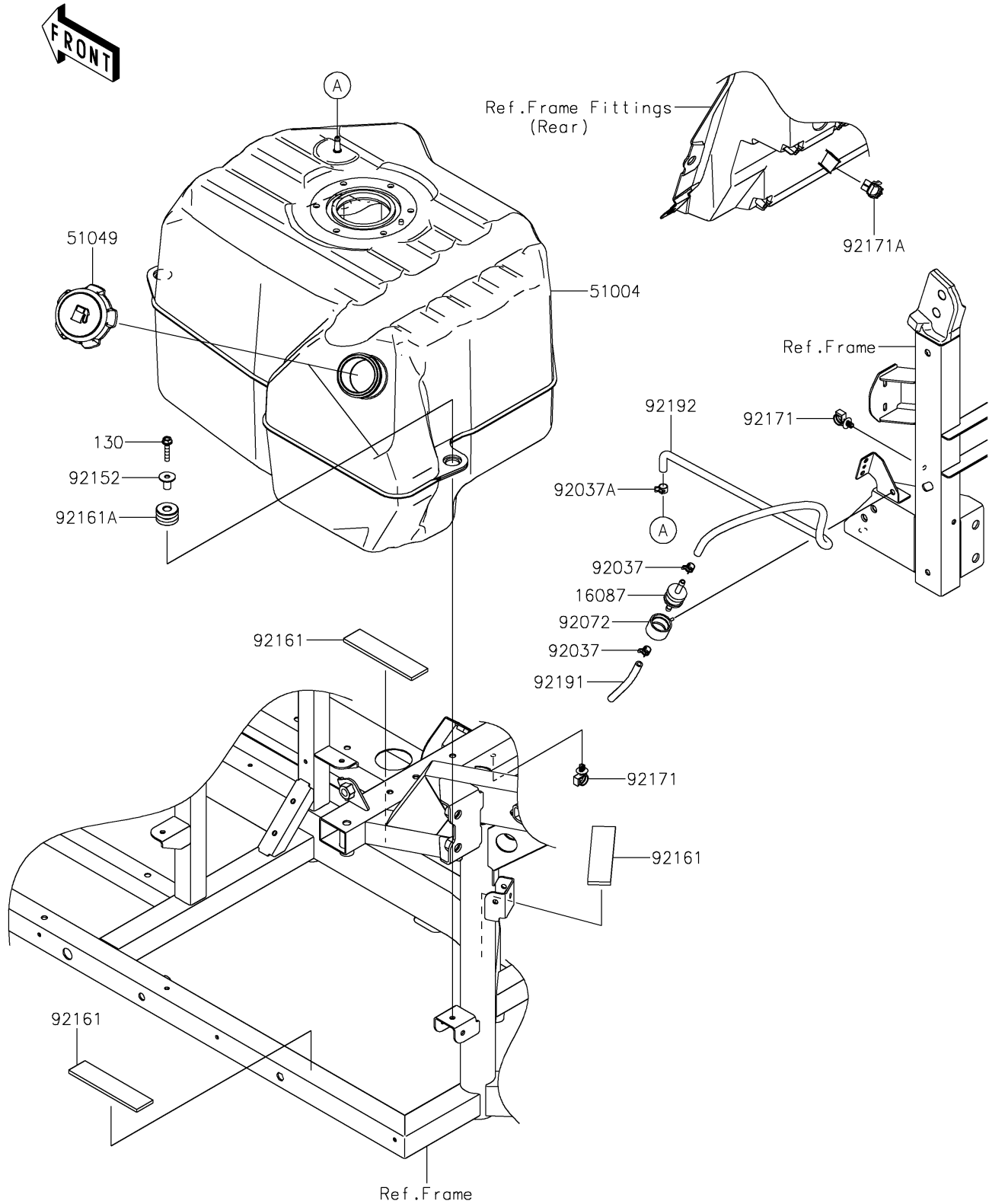


# 2026 RIDGE Platinum Ranch Edition HVAC

## PARTS DIAGRAM Fuel Tank(CN,US)

F2410



# 2026 RIDGE Platinum Ranch Edition HVAC



## PARTS LIST

Fuel Tank(CN,US)

ITEM NAME	PART NUMBER	QUANTITY
-----------	-------------	----------

---