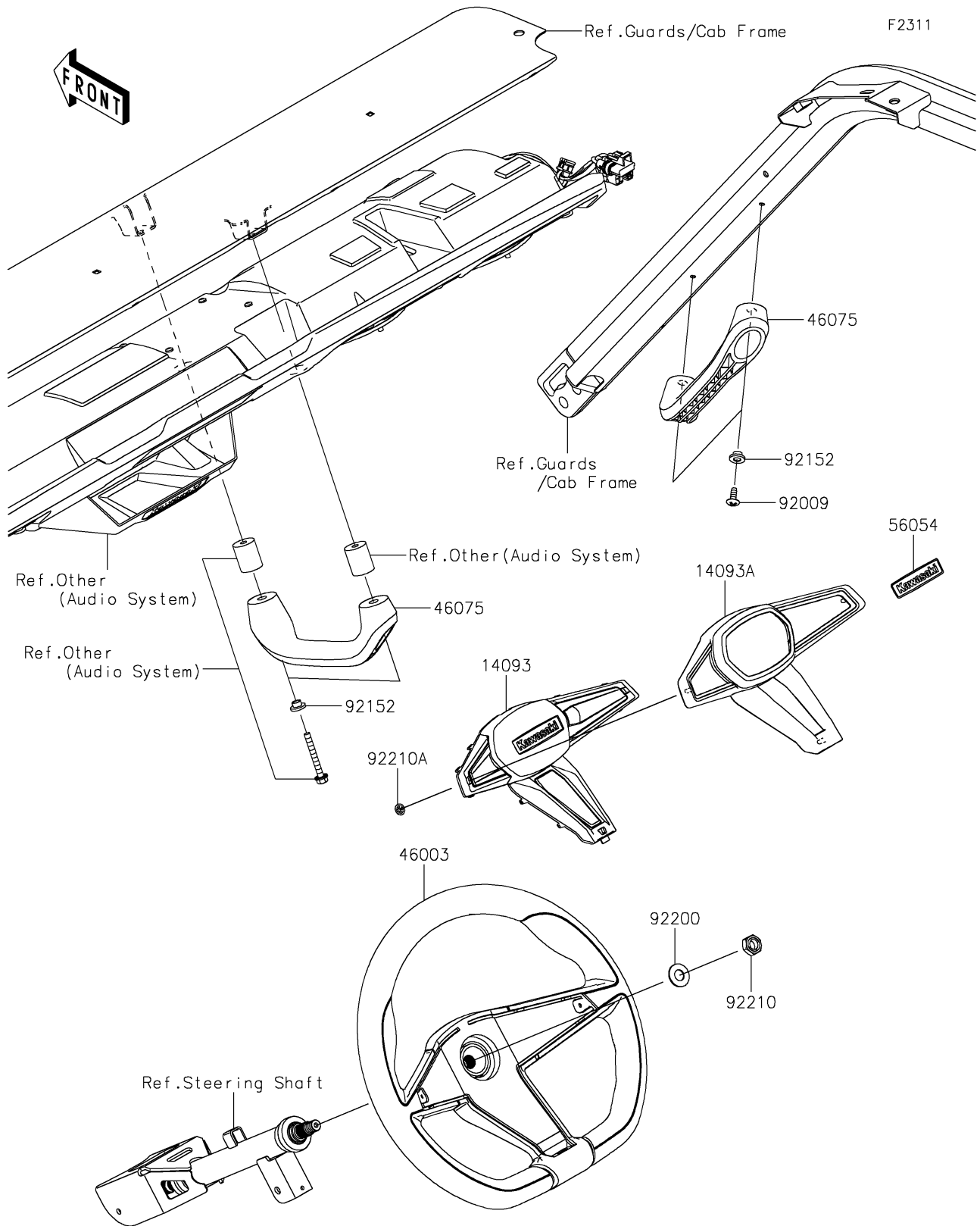


2026 RIDGE® PLATINUM RANCH EDITION HVAC

PARTS DIAGRAM

Steering Wheel



2026 RIDGE® PLATINUM RANCH EDITION HVAC



PARTS LIST

Steering Wheel

ITEM NAME	PART NUMBER	QUANTITY
-----------	-------------	----------
