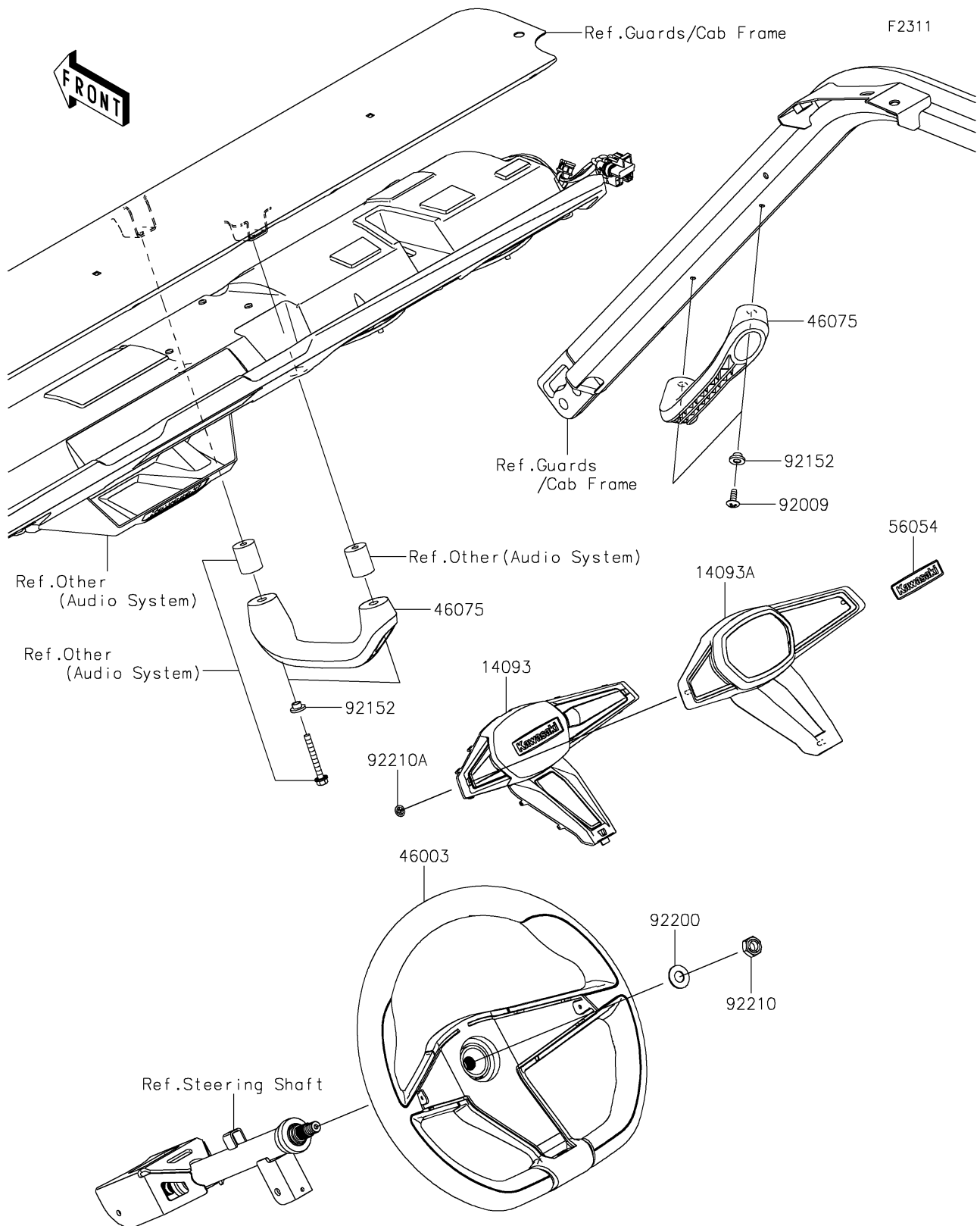


2026 RIDGE Platinum Ranch Edition HVAC

PARTS DIAGRAM

Steering Wheel



2026 RIDGE Platinum Ranch Edition HVAC



PARTS LIST

Steering Wheel

| ITEM NAME | PART NUMBER | QUANTITY |
|---|----------------|----------|
| COVER,HORN (Ref # 14093) | 14093-1346 | 1 |
| COVER,HORN,OUTER,S.BLACK (Ref # 14093A) | 14093-1356-839 | 1 |
| HANDLE (Ref # 46003) | 46003-0824 | 1 |
| GRIP,CNT/RH (Ref # 46075) | 46075-0721 | 2 |
| MARK,CENTER LOGO,KAWASAKI (Ref # 56054) | 56054-2907 | 1 |
| SCREW,TAPPING,6X16 (Ref # 92009) | 92009-1166 | 2 |
| COLLAR,7X9.5X7.5 (Ref # 92152) | 92152-3832 | 4 |
| WASHER,12.1X25X1.6 (Ref # 92200) | 92200-0455 | 1 |
| NUT,LOCK,12MM (Ref # 92210) | 92210-1249 | 1 |
| NUT (Ref # 92210A) | 92210-1796 | 3 |