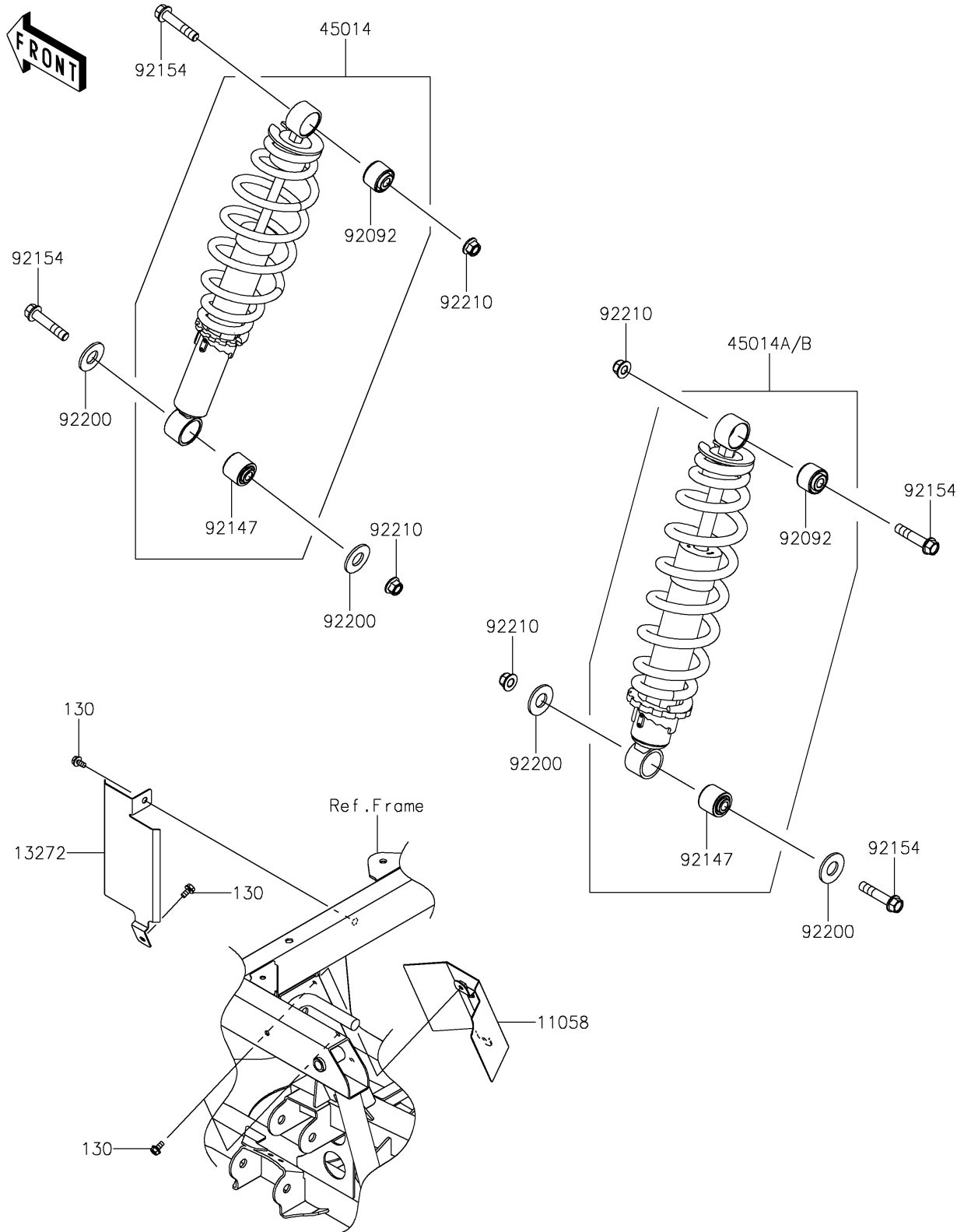


2026 RIDGE® PLATINUM RANCH EDITION HVAC

PARTS DIAGRAM

Shock Absorber(s)

F2280



2026 RIDGE® PLATINUM RANCH EDITION HVAC

PARTS LIST

Shock Absorber(s)

ITEM NAME	PART NUMBER	QUANTITY
BRACKET,HEAT GUARD (Ref # 11058)	11058-0842	1
PLATE,HEAT GUARD (Ref # 13272)	13272-4206	1
SHOCKABSORBER,FR,HVAC,F.SILVER (Ref # 45014)	45014-0791-42P	2
SHOCKABSORBER,RR,HVAC,F.SILVER (Ref # 45014A)	45014-0792-42P	2
SHOCKABSORBER,RR,HVAC,F.SILVER (Ref # 45014B)	45014-0808-42P	2
BUSHING-RUBBER,UPP (Ref # 92092)	92092-0034	4
BEARING (Ref # 92147)	92147-0006	4
BOLT,FLANGED,12X58 (Ref # 92154)	92154-7080	8
WASHER (Ref # 92200)	92200-2697	8
NUT,LOCK,FLANGED,12MM (Ref # 92210)	92210-1931	8
BOLT-FLANGED,6X12 (Ref # 130)	130BA0612	4