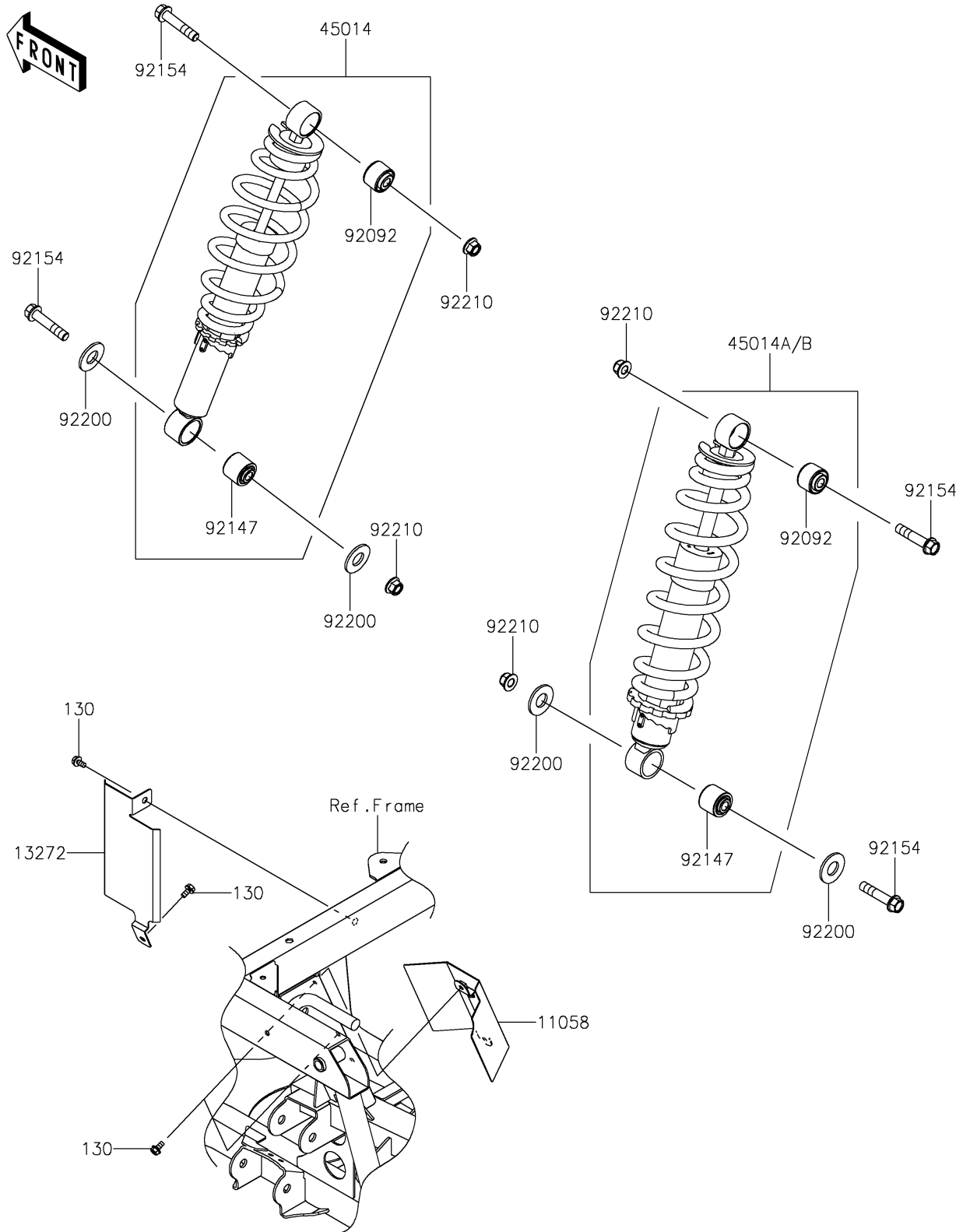


2026 RIDGE Platinum Ranch Edition HVAC

PARTS DIAGRAM

Shock Absorber(s)

F2280



2026 RIDGE Platinum Ranch Edition HVAC



PARTS LIST

Shock Absorber(s)

ITEM NAME

PART NUMBER

QUANTITY
