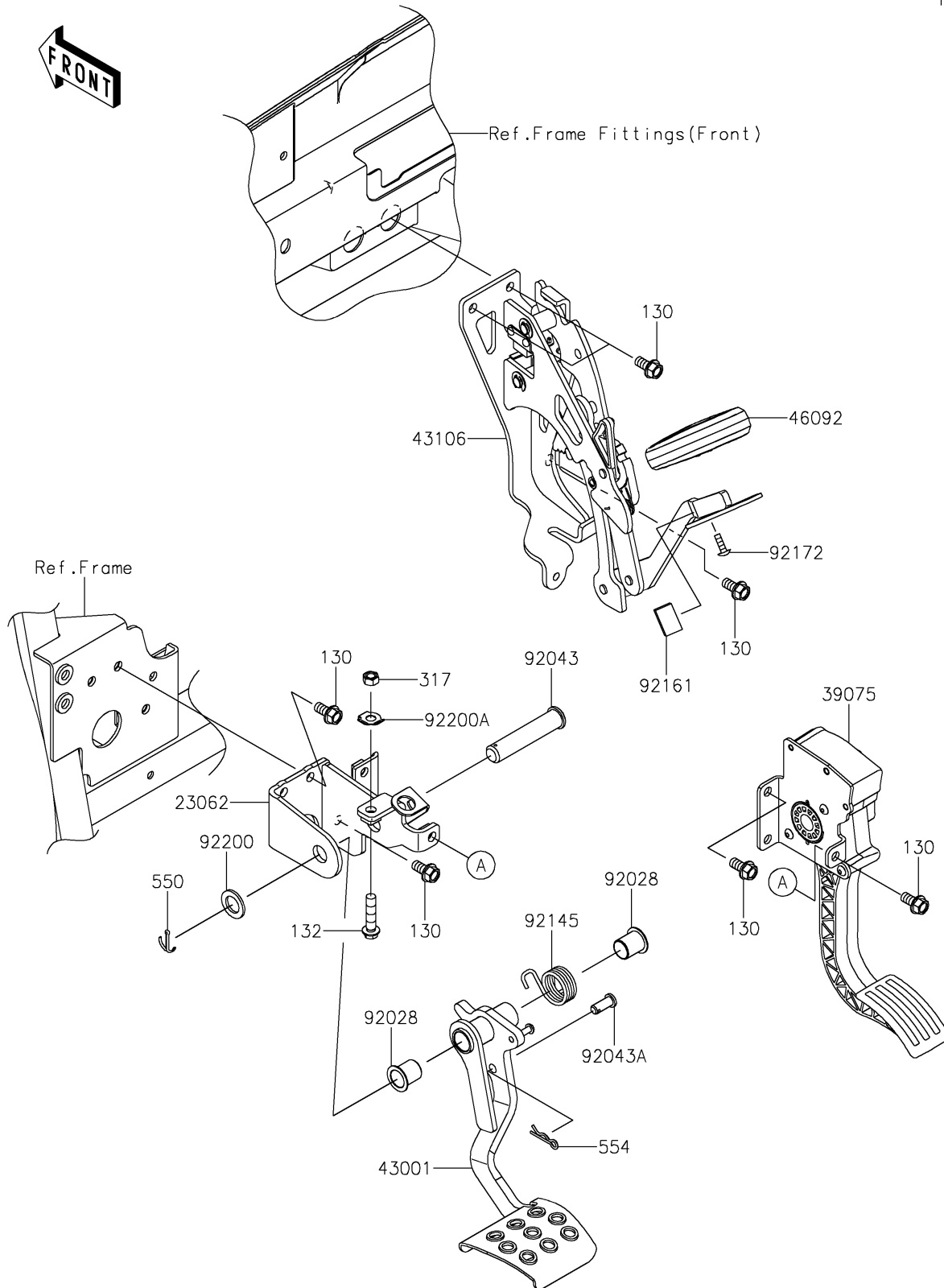


2026 RIDGE Platinum Ranch Edition HVAC

PARTS DIAGRAM

Brake Pedal/Throttle Lever

F2260



2026 RIDGE Platinum Ranch Edition HVAC



PARTS LIST

Brake Pedal/Throttle Lever

ITEM NAME	PART NUMBER	QUANTITY
-----------	-------------	----------
