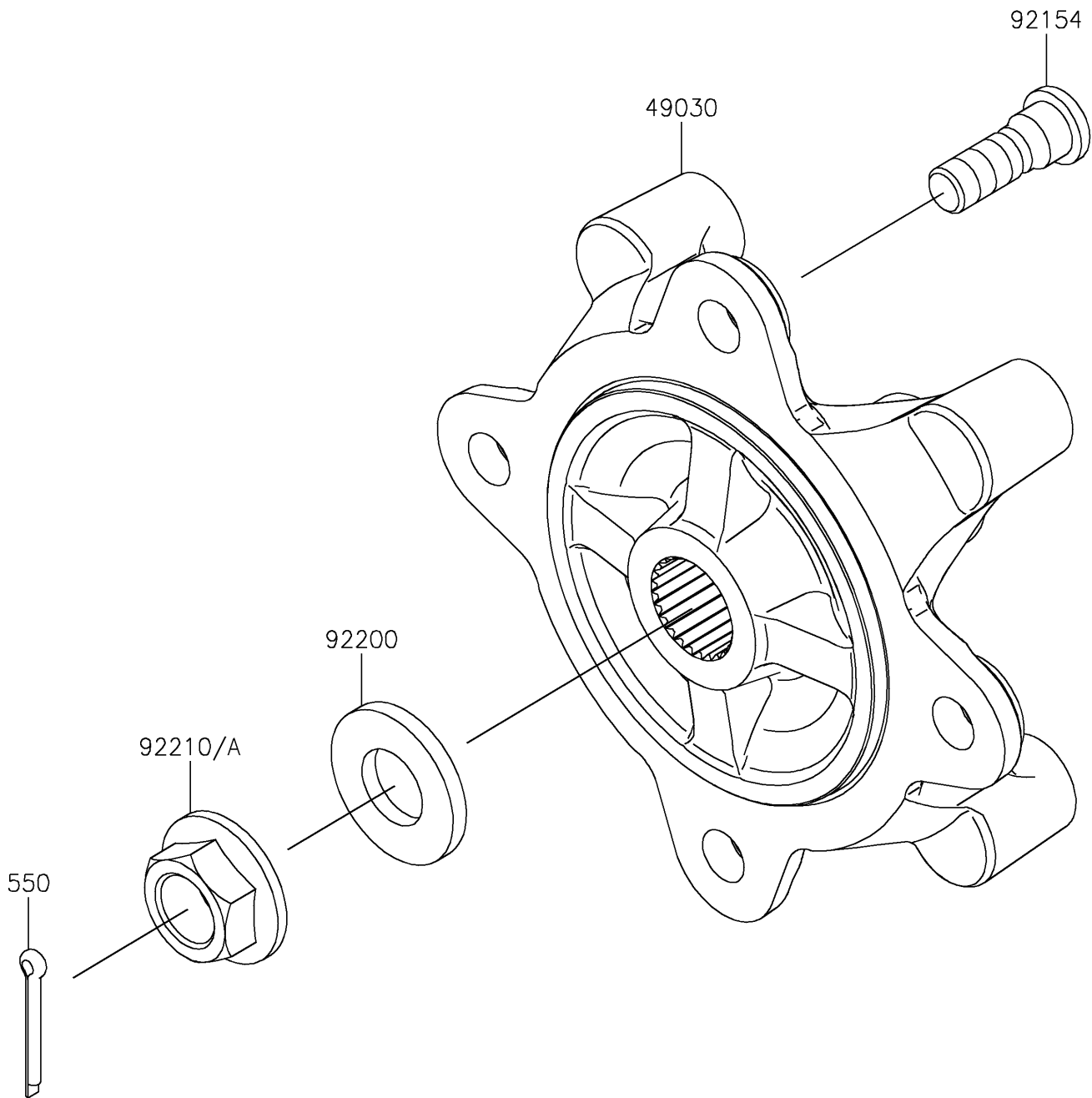


2026 RIDGE® PLATINUM RANCH EDITION HVAC

Kawasaki
Let the Good Times Roll®

PARTS DIAGRAM Front Hubs/Brakes

F2230



2026 RIDGE® PLATINUM RANCH EDITION HVAC



PARTS LIST

Front Hubs/Brakes

ITEM NAME	PART NUMBER	QUANTITY
-----------	-------------	----------
