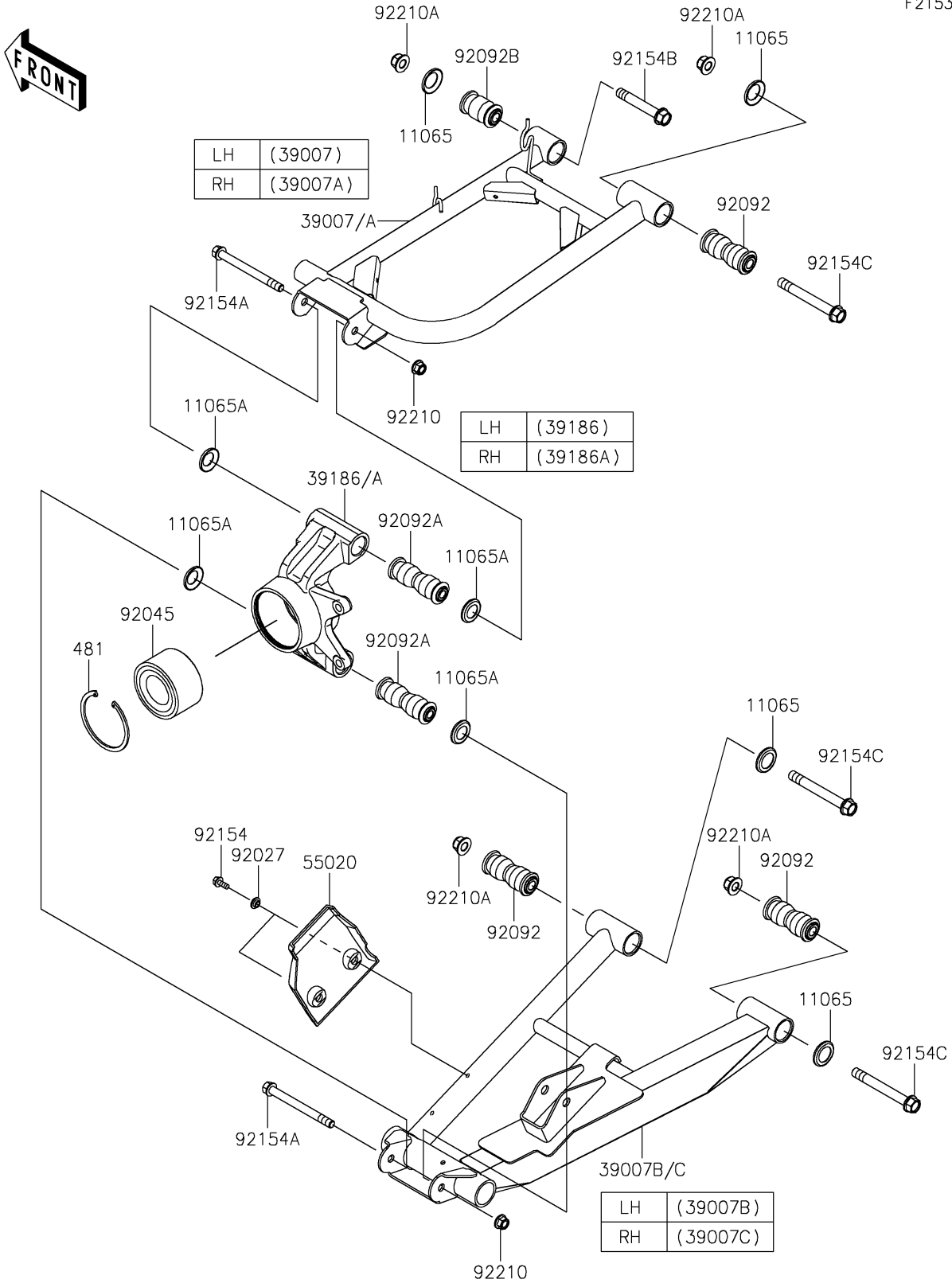


2026 RIDGE Platinum Ranch Edition HVAC

PARTS DIAGRAM

Rear Suspension

F2153



2026 RIDGE Platinum Ranch Edition HVAC



PARTS LIST

Rear Suspension

ITEM NAME	PART NUMBER	QUANTITY
-----------	-------------	----------
